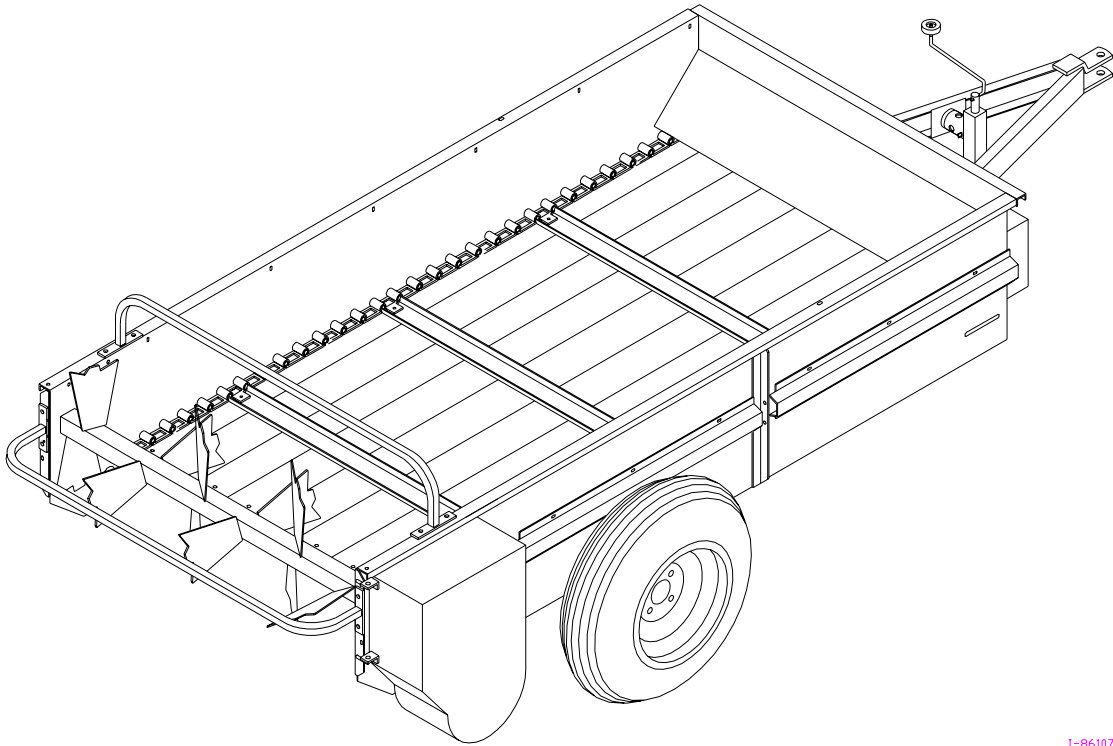




OPERATOR'S MANUAL

**MILLCREEK MODELS:
100P and 125P *PTO* SPREADERS**



I-86107

PUBLICATION DATE: 9/1/02, Rev. 3

MILLCREEK PART # 43806

Millcreek Manufacturing Company
34 Zimmerman Road
Leola, PA 17540
Phone: 717-656-3050 / Fax: 717-556-0279



WARNING: DO NOT assemble, operate, or maintain this equipment without first reading and understanding the information provided in this manual and the ADMA Safety Manual for Agricultural Implement Drivelines. Failure to follow all safety precautions as stated in these manuals may result in serious personal injury or death.

WARRANTY INFORMATION

Millcreek Manufacturing Company (hereinafter called the Company) warrants to the original Purchaser, the Equipment, manufactured by the Company, to be free from defects in material and workmanship under normal use and service. The Company obligation under this Warranty shall be limited to replacement or repair of any parts thereof, free of charge, to the original Purchaser, at their place of business, provided, however, that the part(s) to be replaced or repaired, shall, within one year after delivery to the original Purchaser, be demonstrated to be defective; which determination shall be made by the Company. The said components or parts must be returned through the Selling Dealer or Distributor directly to the Company with all transportation charges prepaid. Notice of defect shall be furnished in writing to the Seller and to the agent through whom the machinery was purchased, disclosing in full all known defects and failure in operation and use. Reasonable time shall be given to the Seller to remedy any such defects and failures.

This Warranty does not cover, under any circumstances, any parts, components, or materials which, in the opinion of the Seller and the Company, have been subjected to neglect, misuse, alteration, accident, or repaired with parts other than those manufactured by and obtained from Millcreek Manufacturing Company.

This Warranty does not cover components which are already covered by a separate warranty provided by the supplier of said parts or components.

This Warranty is made in lieu of all other warranties, expressed or implied, including any warranty of merchantability and fitness for use and purpose and of all other obligations or liabilities on the Company part and any implied warranty. The Company neither assumes nor authorizes any other person to assume for it, any other liability in connection with the sale of this equipment. This Warranty shall not apply to this equipment or to any part thereof which has been subjected to accident, negligence, alteration, abuse, or misuse.

The Company makes no warranty whatsoever in respect to accessories or parts not supplied by the Company. The term "original Purchaser," as used in this Warranty, shall be deemed to mean that person for whom the equipment is originally supplied. This Warranty shall apply only within the boundaries of the continental United States.

Under this Warranty, the Company cannot guarantee that conditions existing beyond its control will not affect the Company's ability to obtain materials or manufacture necessary replacement parts.

The Company reserves the right to make design changes, or changes in specifications at any time, without any contingent obligation on the part of the Company to purchasers of machines and parts previously sold.

The Company warrants the construction of the equipment sold herein and will replace at the Company's expense for a period of one year from the date hereof, any parts which prove defective as determined under the terms of this Limited Warranty. High density, polyethelene floors are warranted for 20 years from cracking, rotting, splitting, or peeling.

TRADEMARKS

The Millcreek logo is a trademark of the Millcreek Manufacturing Company. All other brand or product names mentioned are the registered trademarks or trademarks of their respective owners.

COPYRIGHT

Copyright © 2002 Millcreek Manufacturing Company. All rights reserved. No part of this publication may be reproduced, or distributed without the prior written permission of Millcreek Manufacturing Company, 34 Zimmerman Road, Leola, PA 17540. Subject to change without notice.



TABLE OF CONTENTS

SECTION 1: INTRODUCTION	1-1
Guide to this Manual	1-1
For Your Safety... ..	1-1
Inspection and Warranty Registration	1-3
SECTION 2: ATTACHING THE SPREADER TO THE TRACTOR	2-1
Connecting the Spreader Hitch to the Tractor Hitch	2-1
Attaching the Spreader to the Tractor PTO	2-2
Assembling the Safety Chain	2-2
SECTION 3: OPERATION	3-1
Understanding Spreader Operation	3-1
The Spreader Operating Components	3-1
Guidelines for Loading the Spreader	3-1
Operating the Spreader	3-1
SECTION 4: MAINTENANCE & ADJUSTMENT	4-1
Guidelines for Regular Maintenance	4-1
Procedures for Spreader Adjustment	4-3
Adjusting the Apron Speed	4-3
APPENDIX A: PARTS REFERENCE	A-1
General Spreader Specifications	A-1
Ordering Information	A-2
Spreader Box Assembly and Safety Shields	A-2
Hitch and Jack Assemblies	A-4
Wheel and Hub Assembly	A-6
PTO Drive Line Assembly	A-8
PTO Shaft Assembly	A-10
Apron Chain and Sprocket Assembly	A-12
Apron Drive Group	A-14
Beater Drive/Axle Group	A-16
Spreader Box Extension Sides (Model 125P Only)	A-18
APPENDIX B: SPREADER OPTIONS PARTS REFERENCE	B-1
Endgate Assembly (Model 100P)	B-2
Endgate Assembly (Model 125P)	B-4
Fines Pan Assembly	B-6
Upper Beater Assembly	B-8
APPENDIX C: PARTS CROSS REFERENCE	C-1

SECTION 1: INTRODUCTION

Guide to this Manual

This manual contains all the information necessary to safely operate and maintain the Millcreek 100P or 125P PTO Spreader. Consult the Table of Contents for a detailed list of topics covered. You'll find this manual's step-by-step procedures easy to follow and understand. Should questions arise, please contact your Millcreek dealer before starting any of the procedures in this manual.

NOTE: Procedures provided in this manual apply to *both* spreader models (Model 100P and Model 125P) unless specifically noted otherwise.

Regarding the information presented in this manual:

- All safety, operating, and servicing information reflects current production models at the time of publication of this manual.
- References made to left, right, front, and rear are those directions viewed when facing the unit from the rear.

Please read all sections in the manual carefully--including the important safety information found in this section--before beginning any assembly/operation procedures; doing so allows you to use your Millcreek Spreader safely with optimal performance.

For Your Safety...

For your safety, Millcreek documentation contains the following types of safety statements (listed here in order of increasing intensity):

- **NOTE:** A clarification of previous information or additional pertinent information.
- **ATTENTION:** A safety statement indicating that potential equipment damage may occur if instructions are not followed.



CAUTION: A safety statement that reminds of safety practices or directs attention to unsafe practices which could result in personal injury if proper precautions are not taken.



WARNING: A *strong* safety statement indicating that a hazard exists which can result in injury or death if proper precautions are not taken.



DANGER! *The utmost levels of safety must be observed;* an extreme hazard exists which would result in high probability of death or irreparable serious personal injury if proper precautions are not taken.

The best operator is a careful operator. By using common sense, observing general safety rules, and adhering to the precautions specific to the spreader, you, the operator, can promote safe equipment operation.

For Your Safety... (continued)

In addition to observing the specific precautions listed throughout the manual, **the following general precautions apply and *must be heeded* for proper, safe operation.**



WARNING: Keep hands and feet from under the spreader at all times. Ensure that you are safely distanced from any other persons before operating the spreader.



WARNING: DO NOT attempt to operate the spreader in areas with steep inclines, ditches, large rocks, stumps, or holes which may endanger the operator by upsetting the tractor or cause damage to the spreader.



WARNING: To prevent serious personal injury and to promote safe spreader operation, keep all shields in place during operation. Ensure that all mounting hardware is properly tightened.



WARNING: Never clean, adjust, or repair the spreader while the tractor is running.



WARNING: Never get off the tractor while it is in motion, while the spreader is in operation, and/or while the PTO is engaged.



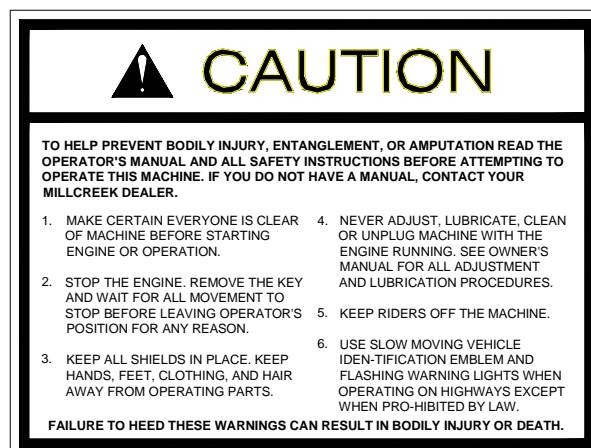
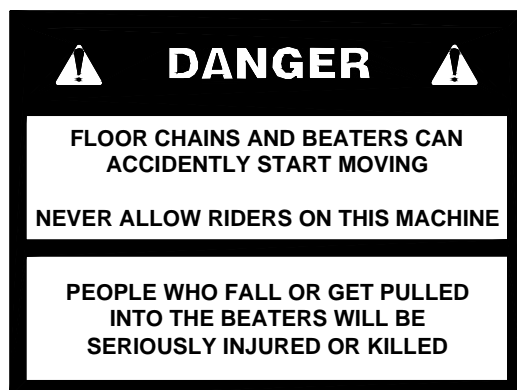
WARNING: Never wear loose clothing when operating the spreader as it may become caught in the moving parts of the machine.



WARNING: Never allow children or anyone else to ride on the spreader.

ATTENTION: For proper and safe operation of the spreader, periodically inspect all parts for excessive wear. Replace worn components with factory-authorized parts.

The following safety decals have been placed on your spreader to remind you of critical safety precautions which must be heeded for the personal safety of you, the operator, and any persons in the vicinity of the equipment while it is in operation. Be sure to keep the safety decals clean and readable. If the decals ever become damaged or illegible, contact your Millcreek dealer for replacements.



Inspection and Warranty Registration

Most spreader models are shipped from your Millcreek Dealer completely assembled and ready for operation. Inspect your new spreader thoroughly upon receipt to ensure that it has been shipped to you in a satisfactory manner. Immediately notify the freight company and your Millcreek dealer in case of shipping damage, shortage(s), and/or errors.

NOTE: If the spreader has not been pre-assembled, please refer to the *Supplemental Dealer's Instructions for Unpacking and Assembly*. Please contact your local Millcreek Dealer for assistance as needed.

Following inspection of your new spreader, locate the Millcreek Warranty Card in the literature packet shipped with your spreader. For proper warranty registration, Millcreek requires that you fill out the warranty registration card and return it *within 30 days* to:

MILLCREEK WARRANTY REGISTRATION
Millcreek Manufacturing Company
34 Zimmerman Road
Leola, PA 17540

For your safety, be sure to locate all safety decals and review their content before proceeding with operating the spreader.

SECTION 2: ATTACHING THE SPREADER TO THE TRACTOR

Connecting the Spreader Hitch to the Tractor Hitch

The spreader hitch is designed to work with a standardized tractor hitch. To connect the spreader hitch to the tractor hitch, refer to Figure 2A and adhere to the following guidelines:

- Adjust the drawbar so that it is 13 to 20 inches above the ground as shown in Figure 2A.
- Extend or shorten the tractor hitch to obtain the horizontal distance from the end of the tractor power take-off (PTO) shaft to the center of the hitch pin hole (as shown in Figure 2A).
- Adjust the height of the spreader hitch with the jack so the tractor drawbar matches the height of the spreader hitch.
- Back the tractor into the hitch until the holes line up.
- Fasten the spreader hitch to the drawbar with a hitch pin that fits securely (i.e. so that it will not come out during spreader operation).
- Remove the weight from the jack by lowering the spreader hitch on the drawbar.
- Swing the jack to its horizontal position and lock it in position to provide maximum ground clearance.



WARNING: Damage to the spreader or other vehicle, as well as injury to the operator, may occur if a properly-sized (3/4" diameter) hitch pin is not installed as recommended.

ATTENTION: An improperly located hitch point may cause damage to the universal joints of the PTO. The recommended length of the PTO shaft should range from 35.83 to 51.42 inches center to center of the "U" joints.

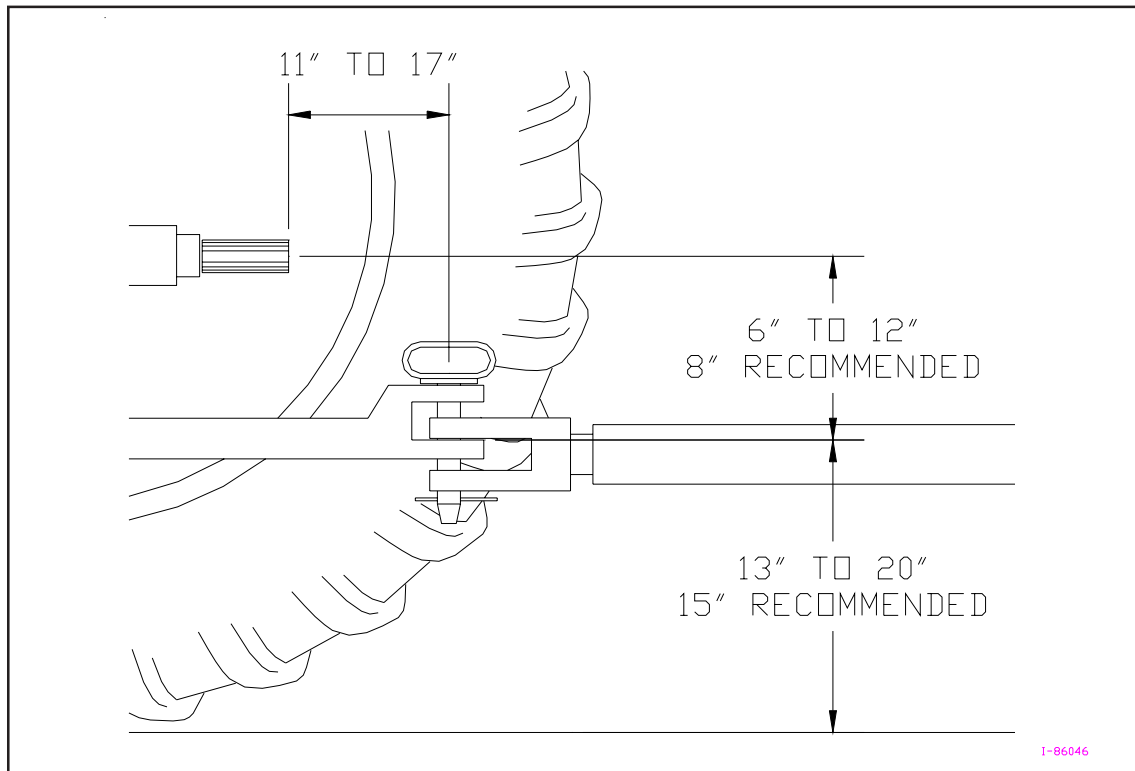


Figure 2A - Specifications for Connecting the Spreader/Tractor Hitch

Attaching the Spreader to the Tractor PTO

1. Pull back the slide collar on the PTO yoke, and slide the spreader PTO assembly onto the tractor PTO shaft. Be sure the slide collar snaps forward to indicate that the PTO shaft is properly secured.
2. Fasten the PTO safety chain to the tractor drawbar to prevent rotation of the safety shield during operation.



WARNING: *Failure to secure the safety chain will allow the safety shield to rotate.*

Operating the spreader without the safety shield in proper position may result in serious personal injury or death.

Assembling the Safety Chain

NOTE: *The safety chain may be ordered as an optional component for the Millcreek 100P/125P PTO Spreaders and is strongly recommended if the spreader is to be moved any time on a public roadway.*

1. Refer to Figure 2B for an illustration of the hook-up of the safety chain.
2. Loop the chain around the spreader hitch as shown.
3. Wrap the hook end of the chain around the tractor drawbar support or other structural member of the tractor frame.
4. Depress the spring-loaded pin, and slide the hook lock away from the hook.
5. After hooking the chain, slide the hook lock toward the hook until the spring-loaded pin snaps in place. This will prevent accidental disconnect of the hook.



WARNING: For the safety chain to be effective, the installation of the chain should not allow more slack than is necessary for movement during spreader operation. Inspect the safety chain regularly to check the condition of the links and locking/hooking mechanisms; replace the chain as soon as weakness/breakage is noted.

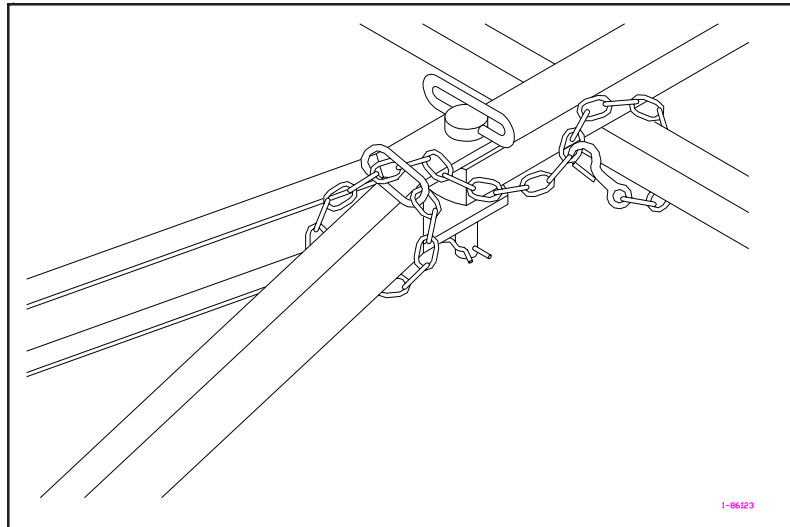


Figure 2B - Attaching the Safety Chain

SECTION 3: OPERATION

Understanding Spreader Operation

Proper and safe operation of the Millcreek 100P/125P Spreader requires: (1) being familiar with the spreader's operating components and (2) heeding all safety precautions as stated in this manual.

The Spreader Operating Components

By definition, the left and right sides of the spreader are determined while sitting on the tractor seat. PTO model spreaders are powered through the tractor drive train. For further information on engaging the PTO drive line, please refer to the following section, *Operating the Spreader*.

Guidelines for Loading the Spreader for Operation

- Millcreek recommends that you *load the spreader from the front toward the back* to facilitate easier unloading.
- **ATTENTION:** NEVER store manure in the spreader between unloading times during critical cold weather months when a frozen load could result in severe equipment damage (i.e. torn floor apron chain).
- DO NOT store wet manure in the spreader (or keep the spreader outdoors with manure in it)--doing so will accelerate rusting of the steel.

Operating the Spreader

WARNING! Before proceeding with operation of the spreader, review all safety statements as provided in Section 1 of this manual.



WARNING: The rear safety shield **MUST** be installed as specified **prior to operation** (refer to the **Spreader Box Assembly Parts Detail** in Appendix A at the back of the manual for proper positioning). NEVER operate the spreader without **all** safety shields in place. Failure to install the rear safety shield before operation may result in serious personal injury or death.

1. If you have a spreader with the endgate option, lift the endgate.
2. With the tractor at idle, decompress the clutch and activate the tractor PTO lever. Release the clutch slowly so the PTO shaft will start the spreader paddles and apron chain.
NOTE: For newer tractor models it may not be necessary to use the clutch to engage the PTO. With the tractor at idle, simply activate the switch to engage the PTO.
3. For best results, run the tractor throttle at the 540 rpm PTO shaft speed and regulate the ground speed to no more than 5 mph.
4. When the spreader box is empty, stop the PTO by disengaging the lever/switch on the tractor.
5. Lower the endgate (if applicable).
6. Refer to Section 4 in this manual for maintenance to be performed following operation of the spreader.

IMPORTANT! Be aware that it may be necessary to re-tighten bolts after a few hours of initial operation -- watch and listen for any loose components. Re-check the wheel bolts every hour (during initial operation) until torque is maintained.

SECTION 4: MAINTENANCE & ADJUSTMENT

Guidelines for Regular Maintenance



WARNING: All shields must be replaced after maintenance or adjustment procedures are performed. Failure to do so could result in serious personal injury or death.

Performing regular maintenance on you Millcreek Spreader will help ensure optimal performance. Please follow these guidelines for maintaining your spreader:

- Clean the spreader after each use.
- Check the spreader each time it is used for loose, bent, broken or missing parts.
ATTENTION: During operation, listen for abnormal sounds which might indicate loose parts or other equipment damage. Correct any parts problems immediately; expanded parts views of all spreader assemblies are provided in the Appendixes at the back of this manual.
- **ATTENTION:** NEVER store manure in the spreader between unloading times during critical cold weather months when a frozen load could result in severe equipment damage (i.e. torn floor apronchain). Storing wet manure in the spreader (or keeping the spreader outdoors with manure in it) will accelerate rusting of the steel.
- Grease all lube fittings every 10 loads.
ATTENTION: All lube fittings are SAE standard. Lubricate non-sealed fittings until grease begins to seep from the fitting. DO NOT lubricate or oil the bushings--they are oil impregnated. (Oil will collect dust and dirt, causing the bushing to wear faster.) ***Worn grease fittings that will not hold the gun and/or fittings with a stuck check ball must be replaced.***

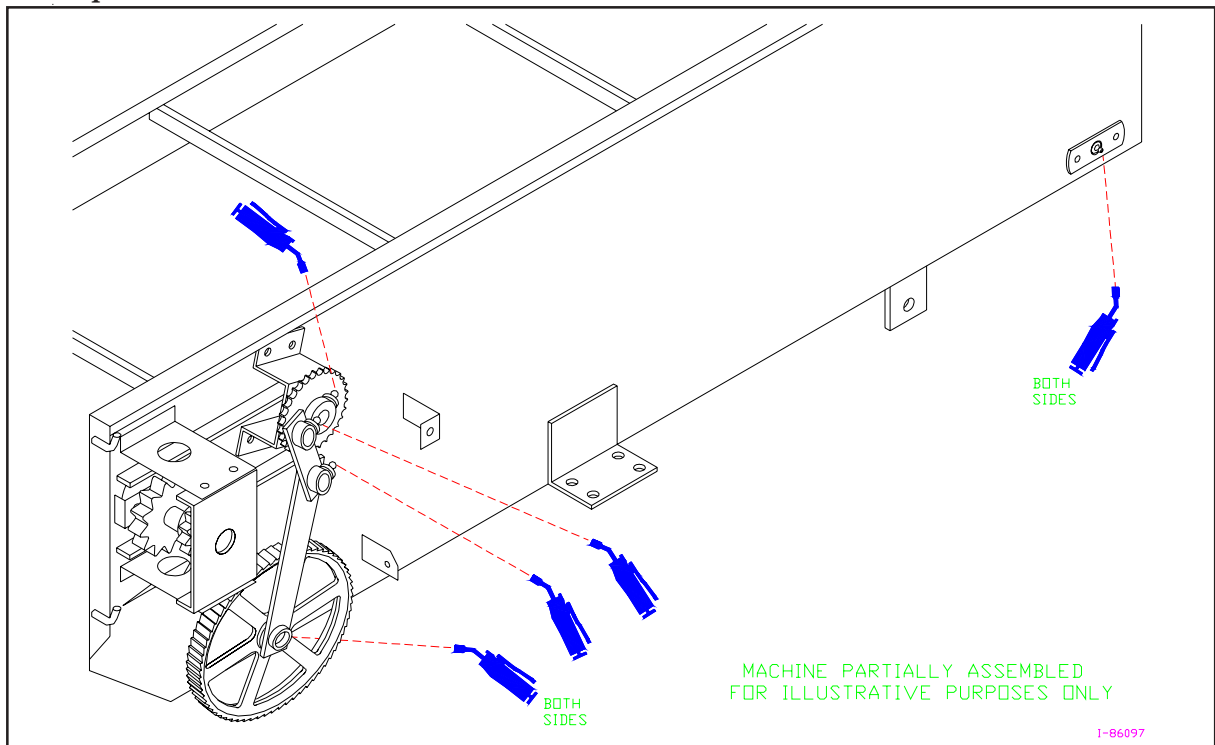


Figure 4A - Location of Lube Fittings on Model 100P/125P Spreader

Guidelines for Regular Maintenance (continued)

- Check that implement tires have adequate air pressure.
- Inspect the safety chain regularly to check the condition of the links and locking/hooks mechanisms; replace the chain as soon as weakness/breakage is noted.
- Apply chain lube once a month to the floor apron chain.
- Periodically check the floor apron chain for tension/tightness (refer to Figure 4B).

Procedure for checking/adjusting the floor apron chain:

- a) Pull up on the center slat of the floor apron chain.
- b) If you can lift it higher than 9 inches, the chain is too loose.
- c) If you can lift it no higher than 6 inches, the chain is too tight.
- d) If the chain needs adjustment, use a 3/4" wrench to loosen the two side nuts on each side of the spreader box as shown in Figure 4B. Turn the *front* nut clockwise or counterclockwise with a 9/16" wrench until correct tension/tightness is achieved. Repeat for the other side. ***Make sure that the chains on each side of the apron are equally taut.***
- e) Re-tighten the side nuts.

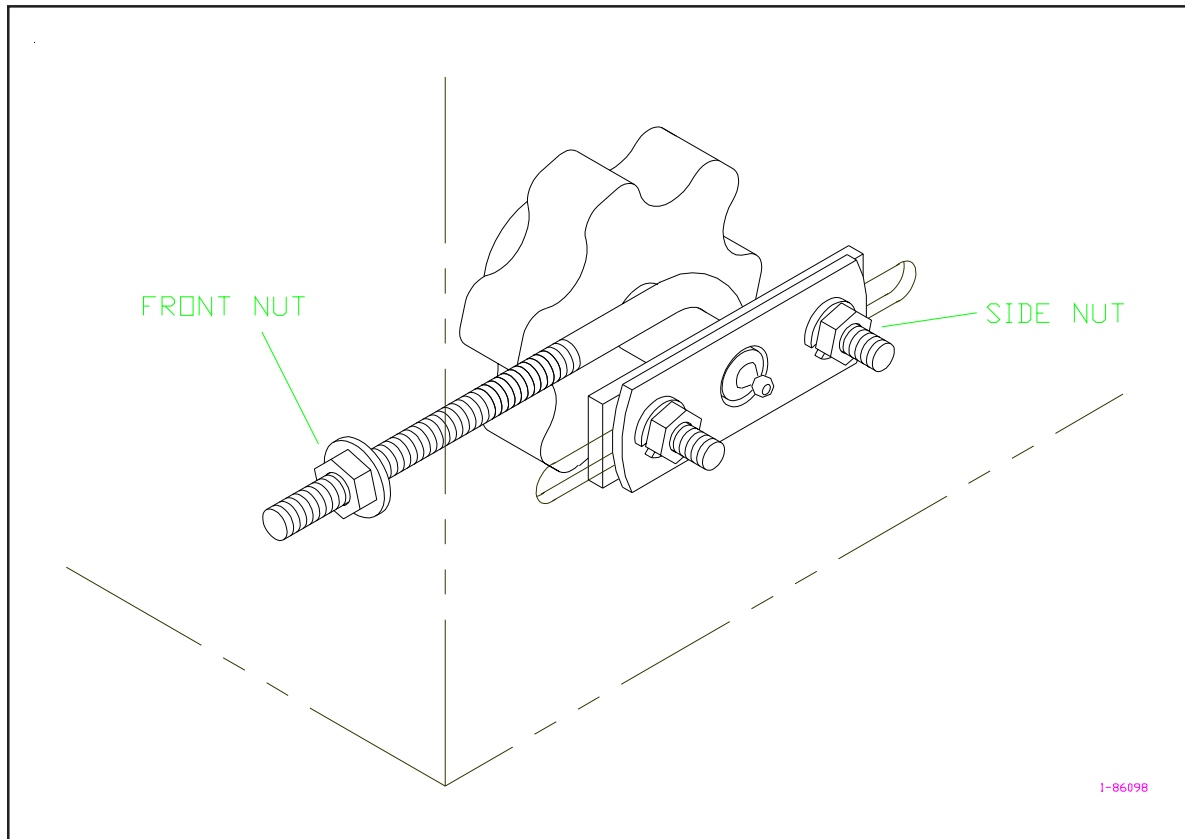


Figure 4B - Adjusting the Floor Apron Chain for Proper Tension

Procedures for Spreader Adjustment

Problems with spreader operation may indicate that certain adjustments are required to restore proper functioning. The following procedures address common problems which may be encountered in spreader operation.

Adjusting the Apron Speed

Depending upon the consistency of material being spread and/or the desired thickness of spreading, adjustments to the apron chain speed may be made to achieve the desired spreading action. The speed of the apron chain can be varied by adjusting the position of the Holding Pawl (as shown in Figure 4C).

Note that the factory setting is at the slow speed which holds every second notch.

For Maximum Apron Chain Speed:

- Rotate the Crankarm Sprocket until the short crankarm is in the horizontal forward position.
- Loosen the nut that secures the Holding Pawl.
- Rotate the Apron Ratchet so that the Driving Pawl is touching the bottom of the notch on the Apron Ratchet.
- Adjust the Holding Pawl to obtain a 1/8" gap between the end of the pawl and bottom of the notch as shown in Figure 4C. Tighten the nut to secure the Holding Pawl.

For Slower Apron Chain Speed:

- Repeat steps (a) through (c) above.
- Adjust the Holding Pawl to obtain an 3/8" gap between the end of the pawl and the bottom of the notch. Tighten the nut to secure the Holding Pawl.

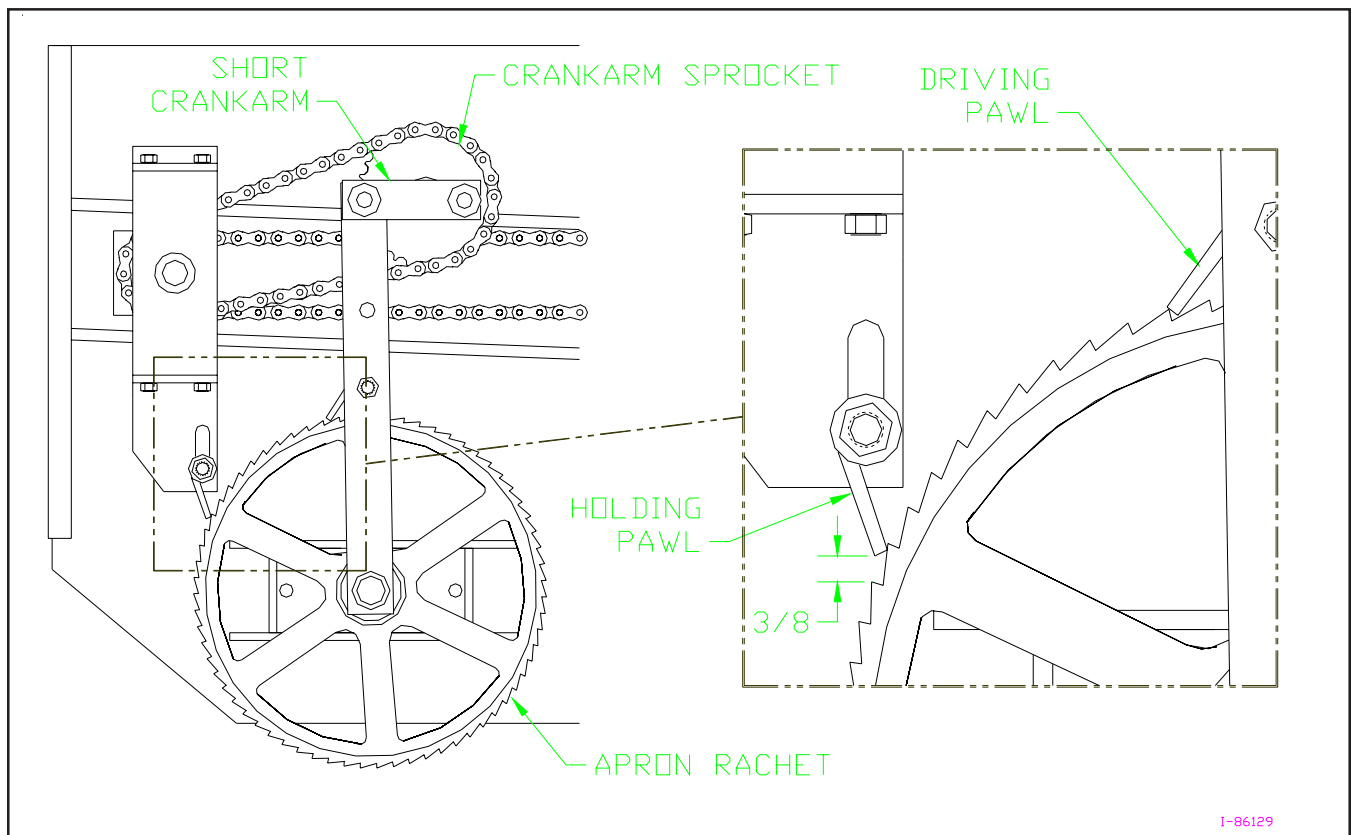


Figure 4C - Adjusting the Apron Chain Speed

APPENDIX A: PARTS REFERENCE

The following information is provided for your reference in understanding how the spreader is assembled and how spare parts can be identified and ordered properly.

General Spreader Specifications

	Model 100P	Model 125P
Capacity, heaped	96 cubic ft.	135 cubic ft.
Body Length	114 inches	114 inches
Body Width	54 inches	54 inches
Body Height	16.5 inches	25 inches
Overall Length	13 ft., 9 inches	13 ft., 9 inches
Overall Width	79 inches	79 inches
Overall Height	46 inches	46 inches
Loading Height	37.5 inches	46 inches
Construction	All steel, poly floor	All steel, poly floor
Apron Chain	#67 steel detachable (<i>Optional T-Rod</i>)	#67 steel detachable (<i>Optional T-Rod</i>)
Tires	205/60R15 (good used tires) (<i>Optional - new</i>)	205/60R15 (good used tires) (<i>Optional - new</i>)
Beater Bearings	Sealed ball bearings	Sealed ball bearings
Beater Drive	Gearbox	Gearbox
Apron Drive	Ratchet	Ratchet
Body Finish	Powder coating	Powder coating
Weight (with tires)	1325 lbs.	1425 lbs.
Tractor Weight or HP required	1500 lbs. or 25 HP & greater	1800 lbs. or 30 HP & greater

Ordering Information

When ordering replacement parts, please provide the following information to your local Millcreek dealer:

- Model and Serial Number of the unit (located on the front right corner of the spreader)
- Part Number and Description as it appears on the following drawings/parts lists

Spreader Box Assembly & Safety Shields*

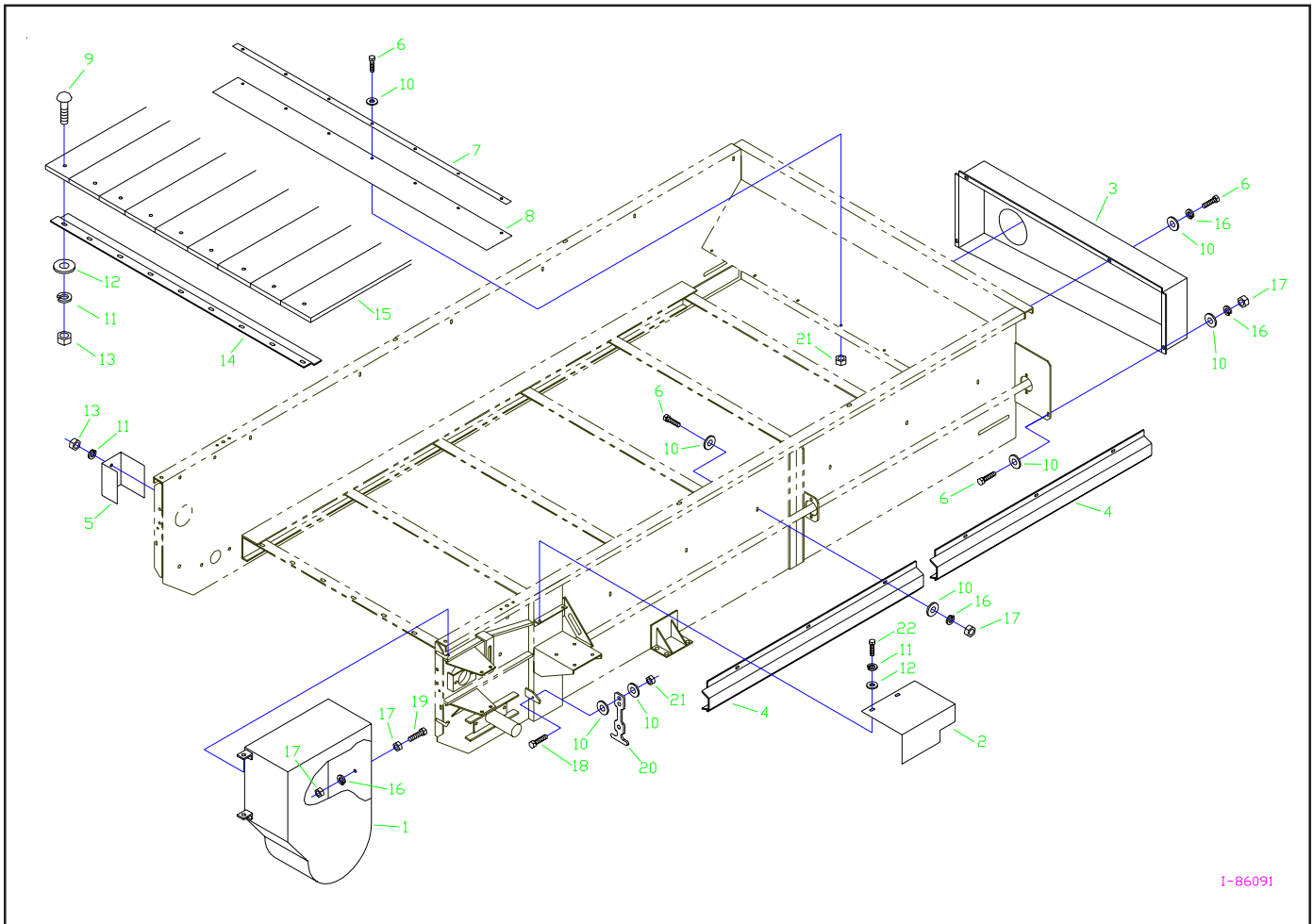


Figure A1 - Spreader Box Assembly Parts Detail

***IMPORTANT NOTE:** *The Model 125P Spreader also includes Extension Sides as part of the standard spreader box assembly. The parts list and drawing for the Extension Sides are provided at the end of Appendix A.*

Spreader Box Assembly (continued)

<u>Item #</u>	<u>Millcreek Part #</u>	<u>Qty.</u>	<u>Component Description</u>
1	260635	1	Right Rear Shield
2	260444	1	Gear Box Shield
3	260583	1	Front Shield
4	260442	2	Side Shaft Shield
5	260386	1	Left Beater Shield
6	34234	23	1/4 x 3/4 Bolt
7	260434	1	Hold Down
8	260435	1	Rubber Strip
9	34282	18	5/16 x 1-1/2 Carriage Bolt
10	34052	40	1/4 Washer
11	34203	22	5/16 Lock Washer
12	34057	20	5/16 Washer
13	34020	20	5/16 Nut
14	260433	1	Floor Hold-down
15	215103	9	Floor Board
16	34235	17	1/4 Lock Washer
17	34003	15	1/4 Nut
18	34214	1	1/4 x 1 Bolt
19	34251	1	1/4 x 1-1/2 Bolt
20	220113	1	Rubber Strap
21	34124	8	1/4 Nylon Stop Nut
22	34200	2	5/16 x 3/4 Bolt

Hitch & Jack Assemblies

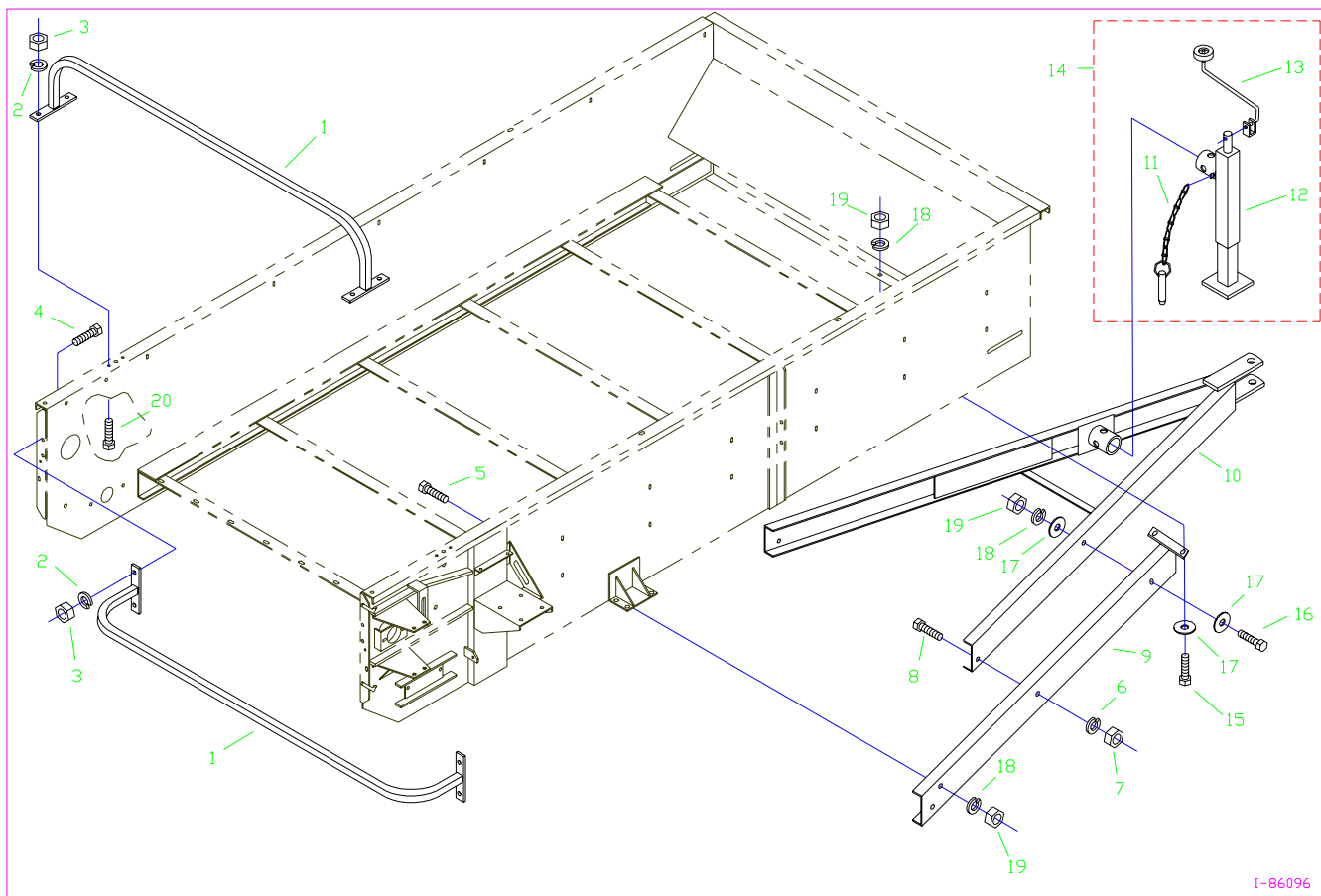


Figure A2 - Hitch and Jack Parts Detail

Hitch & Jack Assemblies (continued)

<u>Item #</u>	<u>Millcreek Part #</u>	<u>Qty.</u>	<u>Component Description</u>
1	260432	2	Beater Guard
2	34203	8	5/16 Lock Washer
3	34020	8	5/16 Nut
4	34221	4	5/16 x 1 Bolt
5	34199	4	3/8 x 1 Bolt
6	34035	2	1/2 Lock Washer
7	34034	2	1/2 Nut
8	34230	2	1/2 x 3 Bolt
9	260413	1	Right Hitch Extension
	260414	1	Left Hitch Extension
10	260464	1	Hitch
11	215228	1	Jack Pin and Chain
12	215258	1	Jack
13	215223	1	Jack Handle
14	215113	1	Complete Jack (includes items 11-13)
15	34224	4	3/8 x 1-1/4 Bolt
16	34242	2	3/8 x 2-1/2 Bolt
17	34018	8	3/8 Washer
18	34141	10	3/8 Lock Washer
19	34087	10	3/8 Nut
20	34200	4	5/16 x 3/4 Bolt

Wheel and Hub Assembly

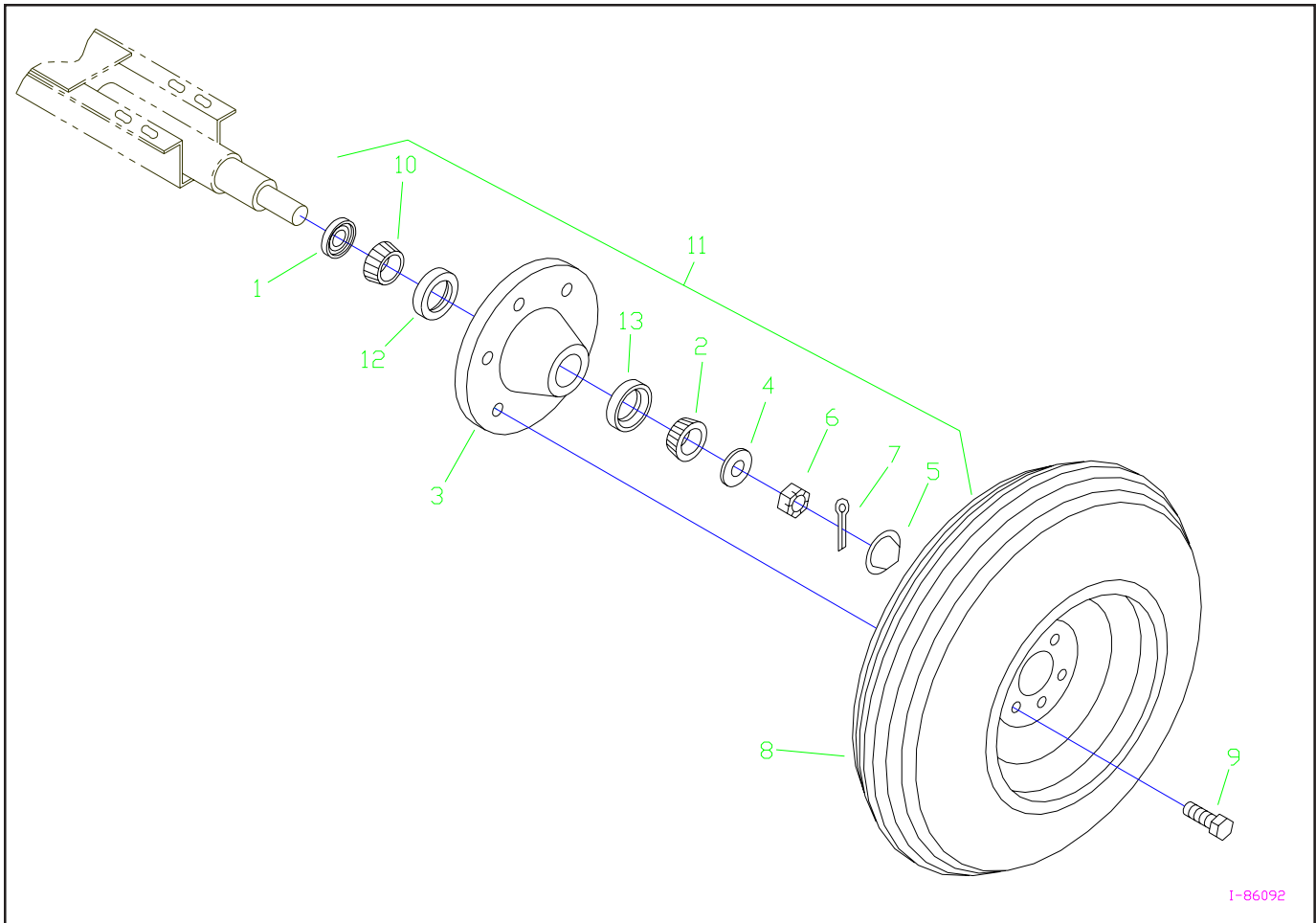


Figure A3 - Wheel and Hub Assembly Parts Detail

Wheel and Hub Assembly (continued)

<u>Item #</u>	<u>Millcreek Part #</u>	<u>Qty.</u>	<u>Component Description</u>
1	215158	2	Grease Seal
2	215203	2	Outer Bearing Cone
3	215162	2	Hub (includes items 12, 13)
4	215164	2	Washer
5	215161	2	Dust Cap
6	215160	2	Spindle Nut
7	34347	2	Cotter Pin
8	215133	2	Wheel and New Tire
	215130	2	Wheel and Used Tire
	215119	2	Wheel
	215126	2	New Tire
	215290	2	Used Tire
9	215222	12	Wheel Lug
10	215159	2	Inner Bearing Cone
11	215114	2	Complete Hub (includes items 1-7, 10)
12	215279	2	Inner Bearing Cup
13	215277	2	Outer Bearing Cup

PTO Drive Line Assembly

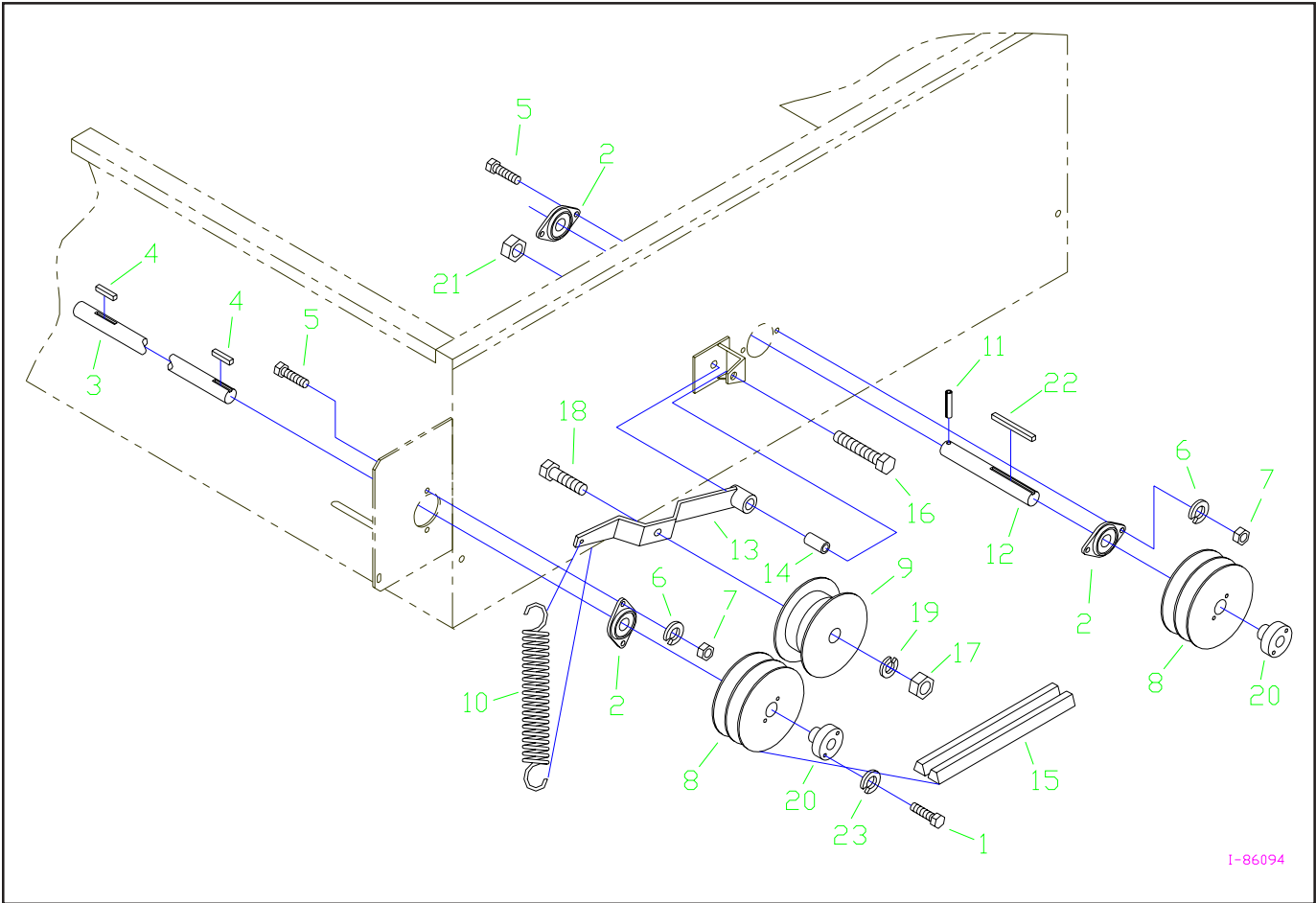


Figure A4 - PTO Drive Line Assembly Parts Detail

PTO Drive Line Assembly (continued)

<u>Item #</u>	<u>Millcreek Part #</u>	<u>Qty.</u>	<u>Component Description</u>
1	34214	4	1/4 x 1 Bolt
2	210144	3	Spherical Bearing
3	260370	1	Side Shaft
4	210131	2	1/4 x 1-1/4 Key
5	34200	6	5/16 x 3/4 Bolt
6	34203	6	5/16 Lock Washer
7	34020	6	5/16 Nut
8	210163	2	Double Pulley
9	210165	1	Idler Pulley
10	220105	1	Spring
11	220106	1	1/4 x 1-1/4 Roll Pin
12	260426	1	PTO Stub Shaft
13	260362	1	Belt Tightener (includes item 14)
14	210107	1	3/4 Bushing
15	210166	2	Belt
16	34230	1	1/2 x 3 Bolt
17	34034	1	1/2 Nut
18	34226	1	1/2 x 1-1/2 Bolt
19	34035	1	1/2 Lock Washer
20	210146	2	Pulley Bushing
21	34211	1	1/2 Nylon Stop Nut
22	210304	1	1/4 x 3 Key
23	34235	4	1/4 Lock Washer

PTO Shaft Assembly

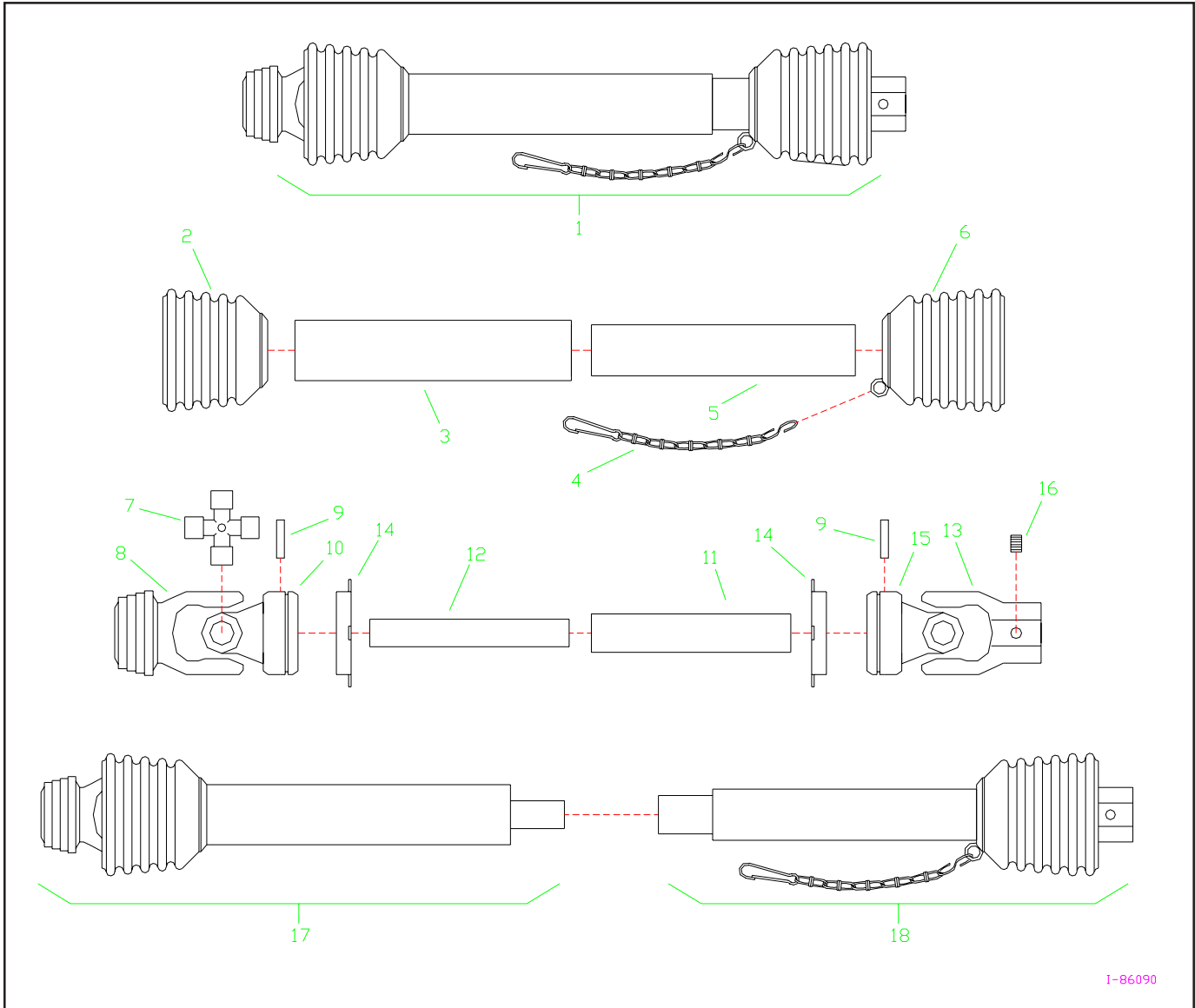


Figure A5 - PTO Shaft Assembly Parts Detail

PTO Shaft Assembly (continued)

<u>Item #</u>	<u>Millcreek Part #</u>	<u>Qty.</u>	<u>Component Description</u>
1	210164	1	Complete PTO Shaft
2	210285	1	5 Rib Shield Cone
3	210286	1	Outer Shield Tube
4	210291	1	Safety Chain
5	210290	1	Inner Shield Tube
6	210335	1	6 Rib Shield Cone
7	210292	2	Cross and Bearings
8	210293	1	Snap Yoke
9	210298	2	8 x 50mm Roll Pin
10	210325	1	Inboard Yoke
11	210295	1	Outer Profile
12	210296	1	Inner Profile
13	210297	1	Keyed Yoke
14	210310	2	Bearing Ring
15	210294	1	Inboard Yoke
16	N/A	2	3/8 x 3/8 Set Screw
17	210311	1	Front Half PTO Shaft
18	210312	1	Rear Half PTO Shaft

Apron Chain and Sprocket Assembly

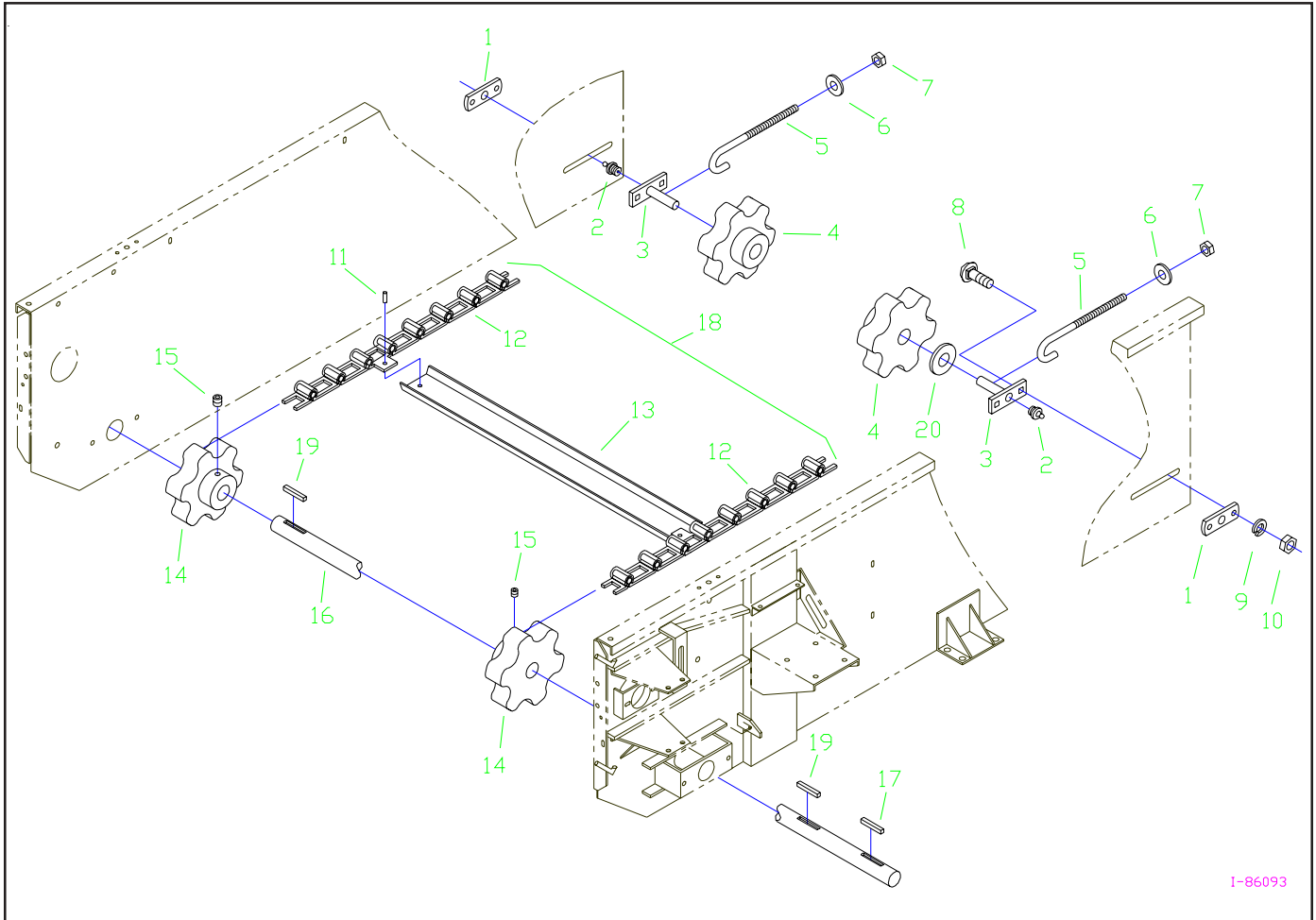


Figure A6 - Apron Chain and Sprocket Assembly Parts Detail

Apron Chain and Sprocket Assembly (continued)

<u>Item #</u>	<u>Millcreek Part #</u>	<u>Qty.</u>	<u>Component Description</u>
1	260269	2	Slot Cover
2	220101	2	Lube Fitting
3	260276	2	Idler Bracket (includes item 2)
4	210154	2	Idler Sprocket
5	260271	2	J-Bolt
6	34018	2	3/8 Washer
7	34220	2	3/8 Nylon Stop Nut
8	34246	4	1/2 x 1-1/2 Carriage Bolt
9	34035	4	1/2 Lock Washer
10	34034	4	1/2 Nut
11	220111	24	5/16 x 3/4 Rivet
12	210301	12	Left Connector Link
	210302	12	Right Connector Link
	210300	158	Master Link
	210139	154	T-Rod Chain Link
13	260409	12	Apron Slat
	260663	11	T-Rod Apron Slat
14	210158	2	Apron Sprocket (includes item 15)
15	N/A	2	Set Screw
16	260371	1	Apron Shaft
17	210224	1	3/8 x 1-1/2 Key
18	260411	1	Complete 100 Apron Chain
	261163	1	T-Rod Apron Chain
19	210223	2	1/4 x 2-1/4 Key
20	34201	6	3/4 SAE Washer

Apron Drive Group

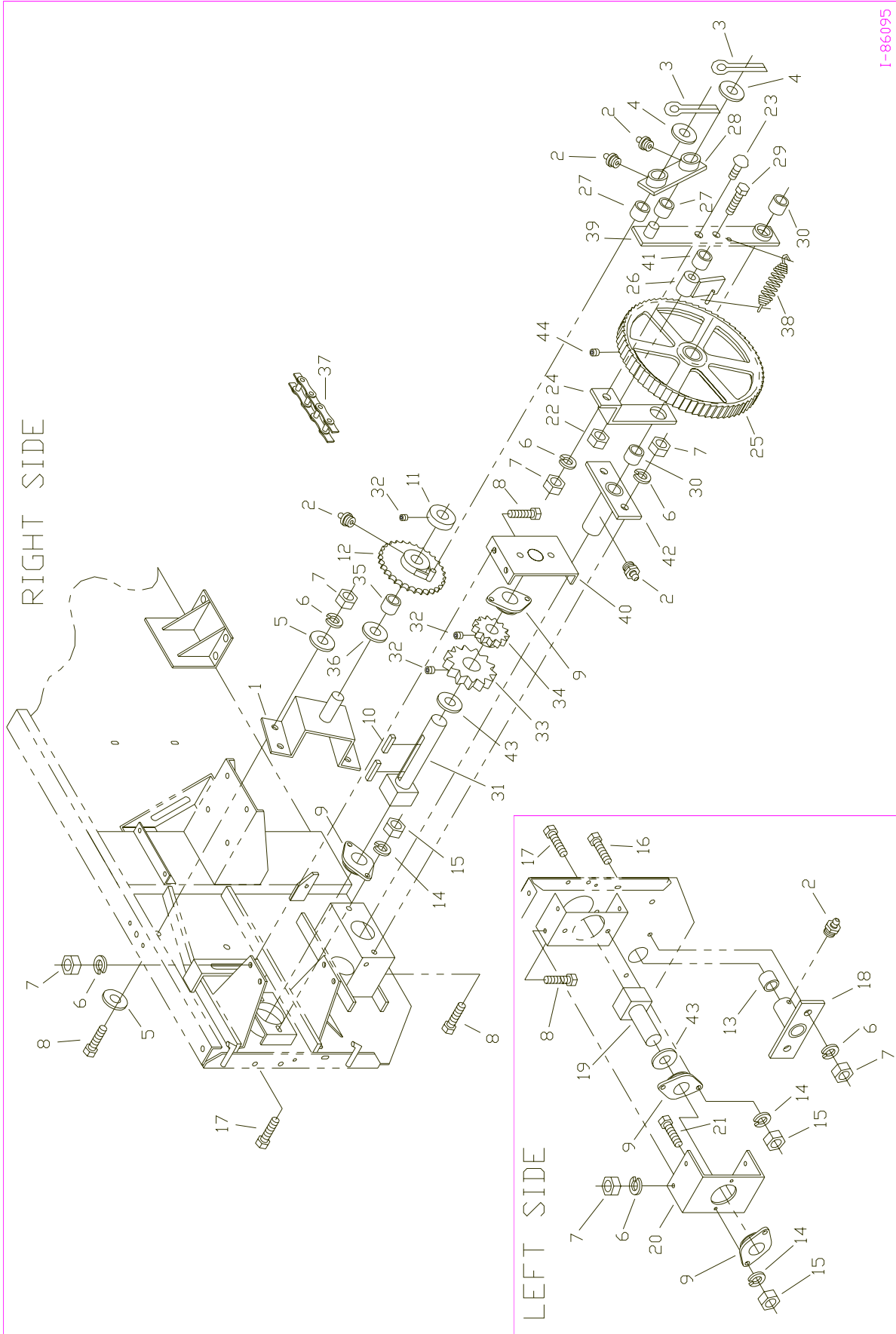
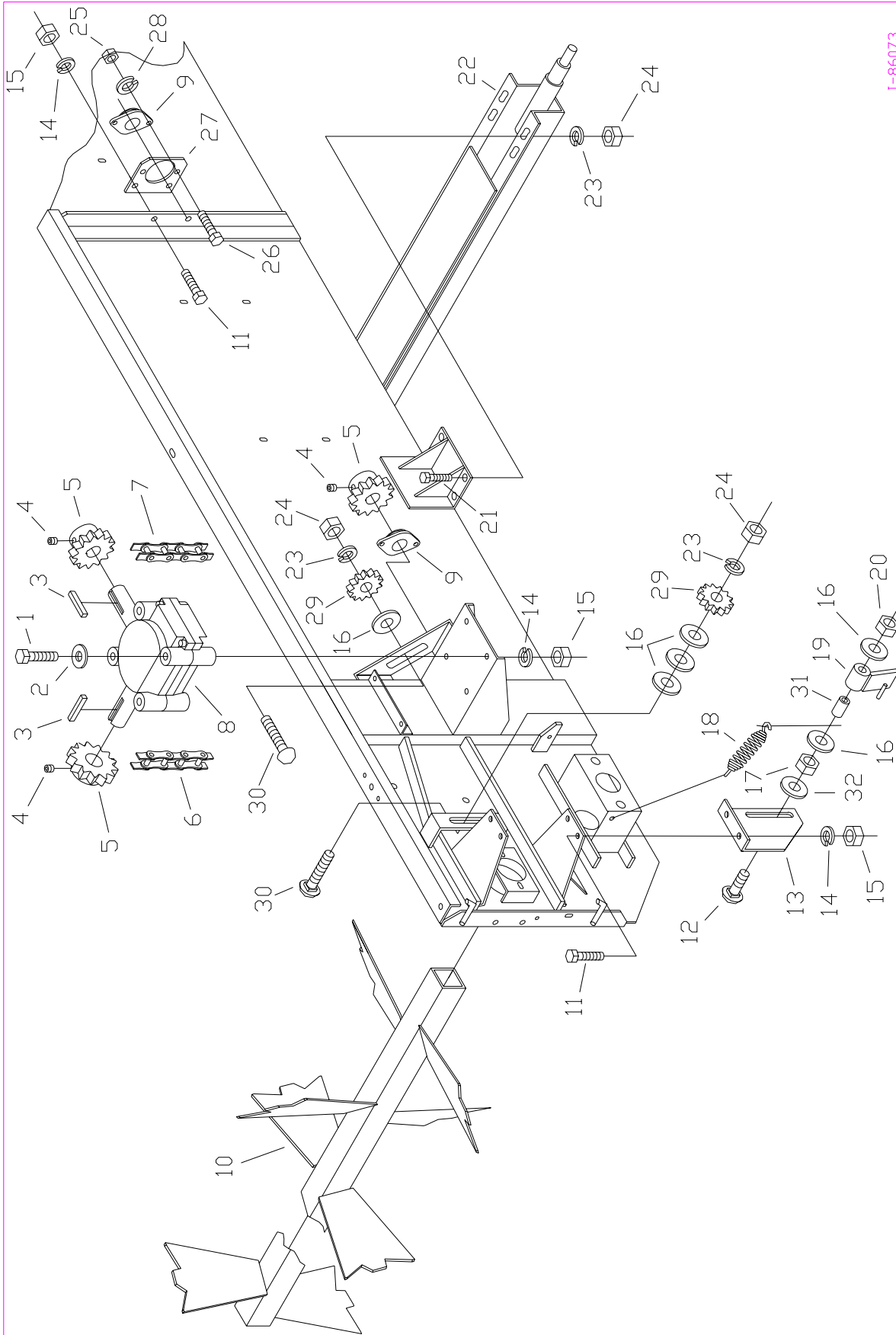


Figure A7 - Apron Drive Group Parts Detail

Apron Drive Group (continued)

<u>Item #</u>	<u>Millcreek Part #</u>	<u>Qty.</u>	<u>Component Description</u>
1	260278	1	Sprocket Bracket
2	220101	5	Lube Fitting
3	34209	2	Cotter Pin
4	34201	2	3/4 SAE Washer
5	34018	8	3/8 Washer
6	34141	15	3/8 Lock Washer
7	34087	15	3/8 Nut
8	34199	12	3/8 x 1 Bolt
9	210144	4	Spherical Ball Bearing w/Flanges
10	210131	2	1/4 x 1-1/4 Key
11	210137	1	1-1/8 Shaft Collar
12	260296	1	Crank Arm Sprocket (includes items 2, 35)
13	210113	1	1-3/4 Dia. Bushing
14	34203	8	5/16 Lock Washer
15	34020	8	5/16 Nut
16	34197	2	3/8 x 3/4 Bolt
17	34200	6	5/16 x 3/4 Bolt
18	260369	1	Left Apron Bearing (includes items 2, 13)
19	260389	1	Left Beater Shaft
20	260385	1	Left Beater Bracket
21	34221	2	5/16 x 1 Bolt
22	34034	1	1/2 Nut
23	34006	1	3/8 x 1 Carriage Bolt
24	260401	1	Crank Arm Brace
25	210235	1	Ratchet Wheel
26	260318	1	Ratchet Pawl (includes item 41)
27	210105	2	1" Dia. Bushing
28	260292	1	Connector Arm (includes items 2, 27)
29	34230	1	1/2 x 3 Bolt
30	210115	3	1-3/4 Dia. Bushing
31	260569	1	Right Beater Shaft
32	N/A	3	Set Screw
33	210160	1	18 Tooth Sprocket (includes item 32)
34	210145	1	12 Tooth Sprocket (includes item 32)
35	210104	1	1-3/8 Dia. Bushing
36	260281	1	Sprocket Washer
37	210142	1	#50 Crank Chain (48 Links)
	210284	AR	# 50 Chain Master Link
38	220104	1	Pawl Spring
39	260402	1	Crank Arm (includes item 30)
40	260383	1	Right Beater Bracket
41	210107	1	3/4 Dia. Bushing
42	260373	1	Right Apron Bearing (includes items 2, 30)
43	34216	2	1" Washer
44	34360	1	3/8 x 3/4 Set Screw

Beater Drive/Axle Group



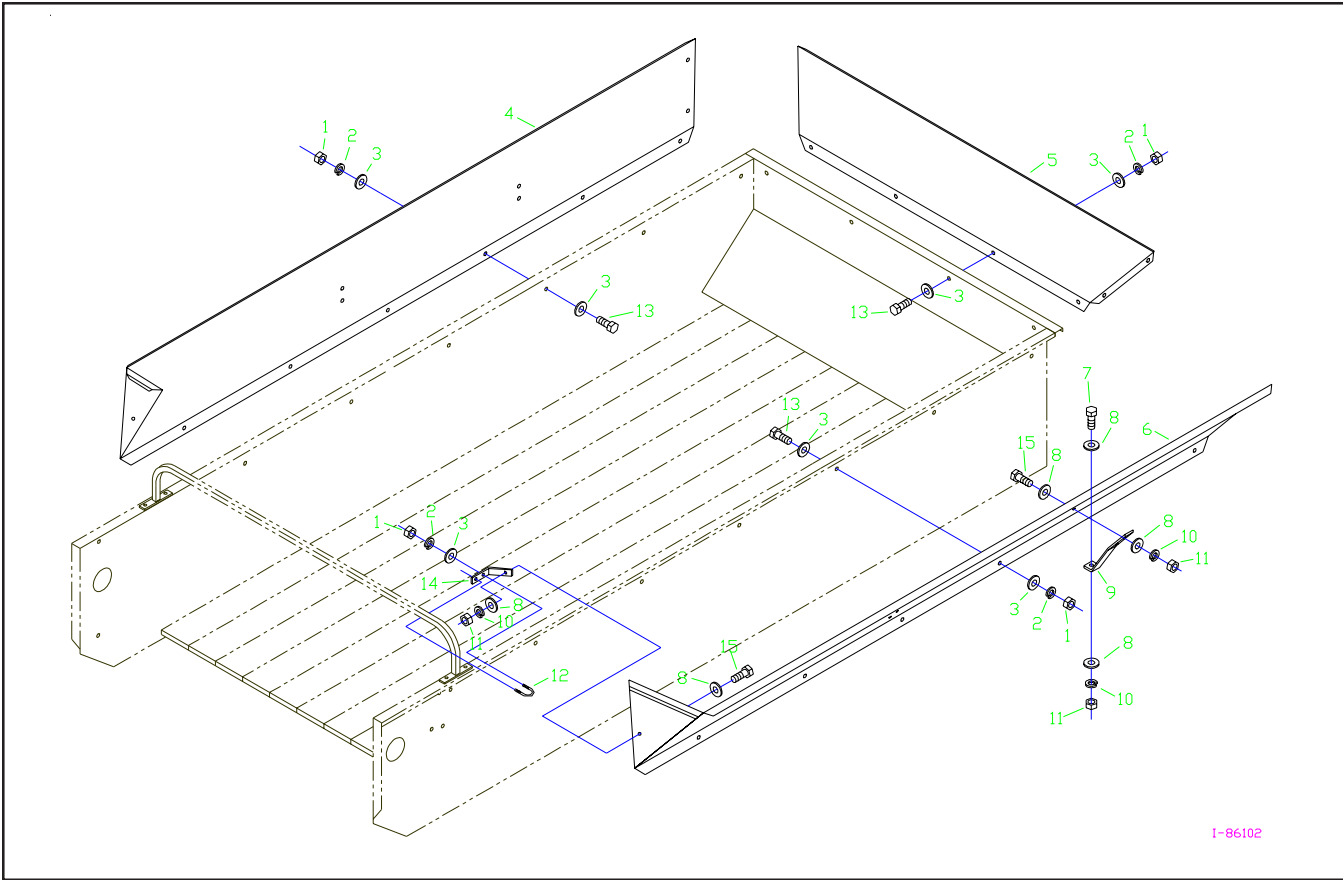
I-86073

Figure A8 - Beater Drive/Axle Group Parts Detail

Beater Drive/Axle Group (continued)

<u>Item #</u>	<u>Millcreek Part #</u>	<u>Qty.</u>	<u>Component Description</u>
1	34241	4	3/8 x 4-1/2 Bolt
2	34018	4	3/8 Washer
3	210130	2	1/4 x 1 Key
4	N/A	6	Set Screw
5	210159	3	12 Tooth Sprocket (includes item 4)
6	210156	1	Beater Drive Chain (#60 x 60 Links)
7	210157	1	Gearbox Drive Chain (#60 x 28 Links)
	210303	AR	Master Link (#60 Chain)
8	210162	1	Gearbox
9	210144	2	Spherical Bearing w/Flanges
10	260445	1	Beater
11	34199	4	3/8 x 1 Bolt
12	34091	1	1/2 x 3 Carriage Bolt
13	260251	1	Pawl Adjustment Bracket
14	34141	8	3/8 Lock Washer
15	34087	8	3/8 Nut
16	34094	6	1/2 Washer
17	34198	1	1/2 Thin Nylon Stop Nut
18	220104	1	Pawl Spring
19	260318	1	Pawl (includes item 31)
20	34211	1	1/2 Nylon Stop Nut
21	34239	8	1/2 x 1 Bolt
22	260391	1	Axle
	260983	1	Axle w/Hubs
23	34035	10	1/2 Lock Washer
24	34034	10	1/2 Nut
25	34020	2	5/16 Nut
26	34200	2	5/16 x 3/4 Bolt
27	260317	1	Side Shaft Bracket
28	34203	2	5/16 Lock Washer
29	210161	2	11 Tooth Sprocket
30	34240	2	1/2 x 2 Carriage Bolt
31	210107	1	3/4 Dia. Bushing
32	34300	1	5/8 SAE Washer

Spreader Box Extension Sides (Model 125P ONLY)



I-86102

Figure A9 - Extension Sides for Model 125P Parts Detail

<u>Item #</u>	<u>Millcreek Part #</u>	<u>Qty.</u>	<u>Component Description</u>
1	34003	24	1/4 Nut
2	34235	24	1/4 Lock Washer
3	34052	44	1/4 Washer
4	260720	1	Left Extension Side
5	260706	1	Front Extension
6	260719	1	Right Extension Side
7	34222	4	5/16 x 1-1/4 Bolt
8	34057	28	5/16 Washer
9	260448	4	Side Brace
10	34203	14	5/16 Lock Washer
11	34020	14	5/16 Nut
12	220119	2	1/4 U-Bolt
13	34234	20	1/4 x 3/4 Bolt
14	260723	2	Rear Bracket
15	34221	10	5/16 x 1 Bolt

APPENDIX B: SPREADER OPTIONS PARTS REFERENCE

The following options are available for Model 100P and 125P Ground Drive Spreaders. Please refer to the appropriate parts/assembly drawings provided in this Appendix. Some options come pre-assembled on the spreader from the factory; others may require assembly/installation. Please contact Millcreek for additional instructions as needed if the appropriate instructions have not been included with your shipment.

Model 100P and 125P Spreader Options

- End Gate*
- Fines Pan
- Upper Beater

***NOTE:** In this section, two End Gates are shown--one for the Model 100P, and one for the Model 125P. Be sure to reference the appropriate parts list and drawing for your model spreader.

Endgate Assembly for Model 100P Spreaders

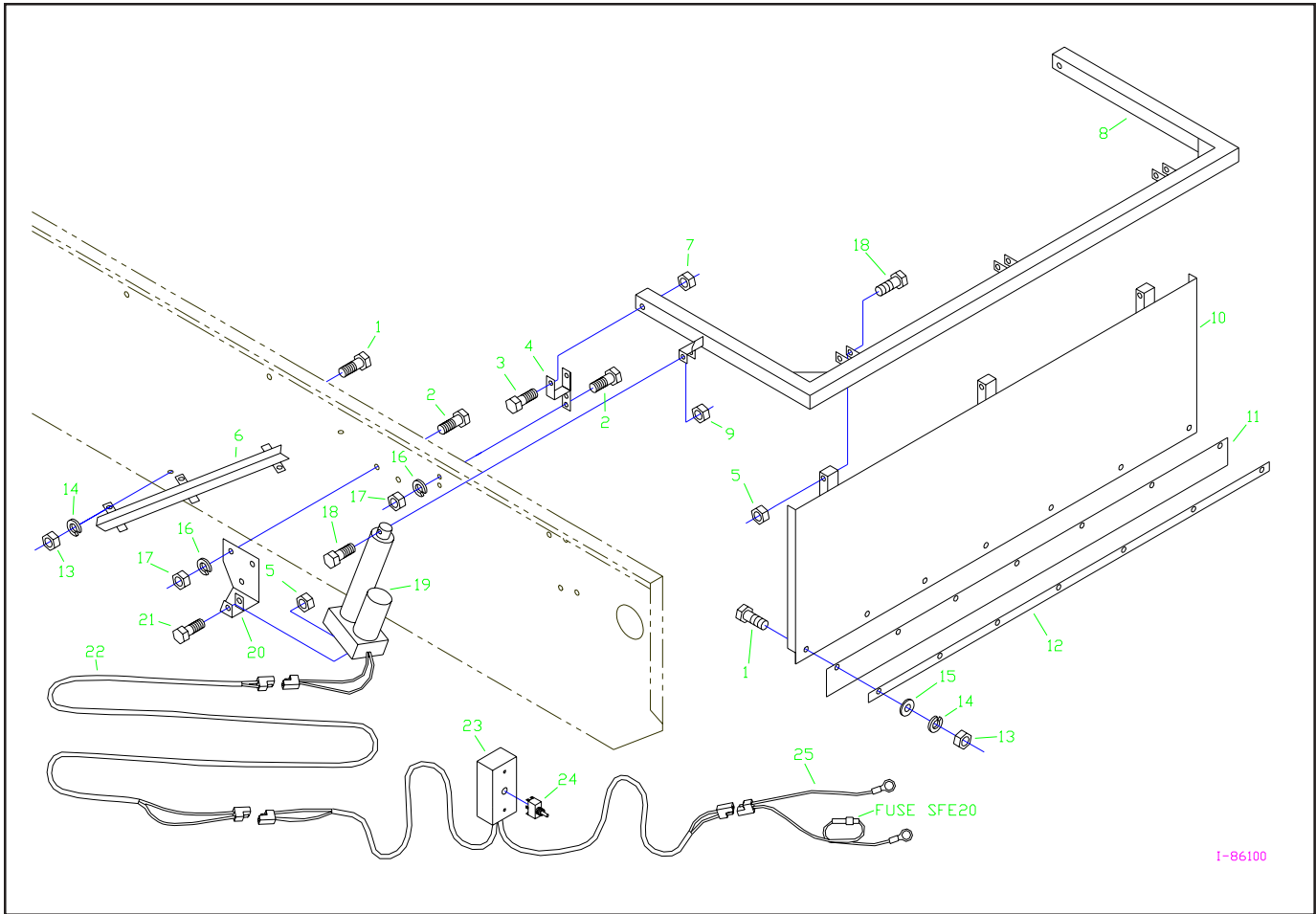


Figure B1 - Model 100P Endgate Parts Detail

Endgate Assembly (Model 100P) (continued)

<u>Item #</u>	<u>Millcreek Part #</u>	<u>Qty.</u>	<u>Component Description</u>
1	34234	10	1/4 x 3/4 Bolt
2	34199	7	3/8 x 1 Bolt
3	34259	2	3/8 x 3 Bolt
4	260554	2	Endgate Hinge
5	34211	4	1/2 Nylon Stop Nut
6	260668	1	Wire Shield
7	34095	2	3/8 Stover Lock Nut
8	260620	1	Endgate Frame
9	34198	1	1/2 Thin Nylon Stop Nut
10	260614	1	Endgate
11	260543	1	Rubber Strip
12	260512	1	Strip Support
13	34003	10	1/4 Nut
14	34235	10	1/4 Lock Washer
15	34052	7	1/4 Washer
16	34141	7	3/8 Lock Washer
17	34087	7	3/8 Nut
18	34272	4	1/2 x 2-1/4 Bolt
19	215127	1	Actuator
20	260466	1	Actuator Bracket
21	34271	1	1/2 x 2-1/2 Bolt
22	261074	1	Extension Wire
23	261071	1	Control Box with Wire (includes item 24)
24	261072	1	Control Box Switch
25	261073	1	Control Box Battery Wire

Endgate Assembly for Model 125P Spreaders

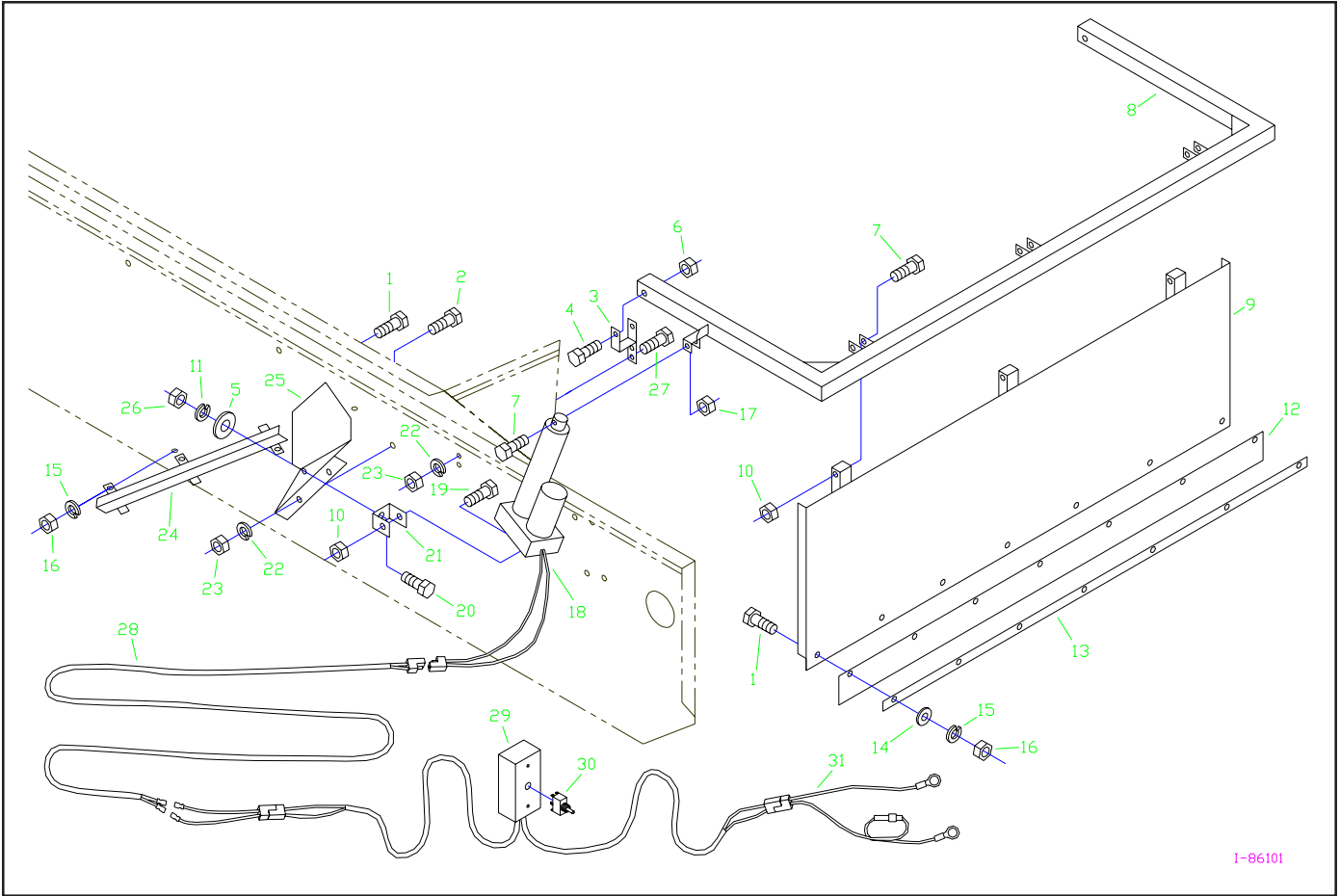
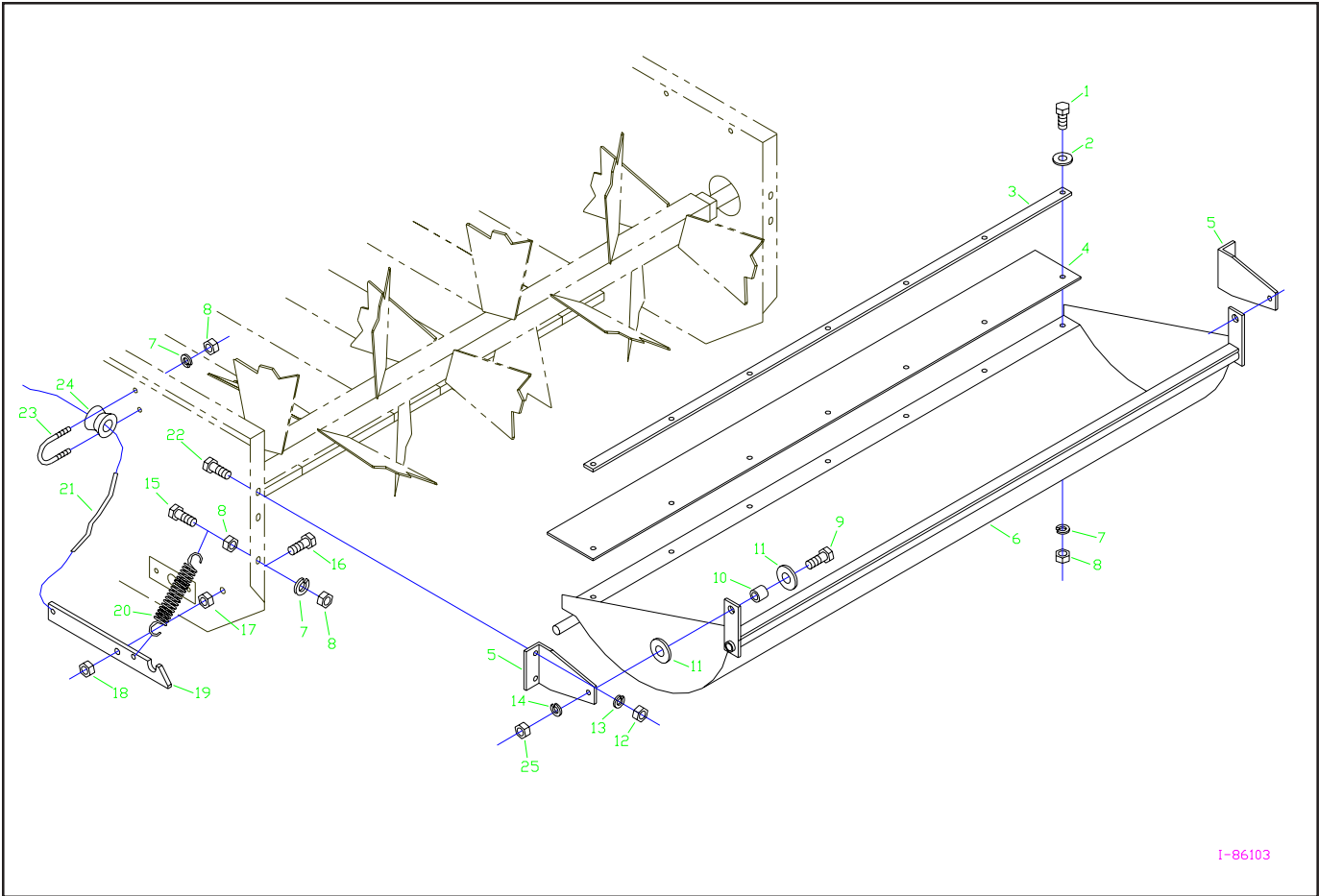


Figure B2 - Model 125P Endgate Parts Detail

Endgate Assembly (Model 125P) (continued)

<u>Item #</u>	<u>Millcreek Part #</u>	<u>Qty.</u>	<u>Component Description</u>
1	34234	10	1/4 x 3/4 Bolt
2	34199	4	3/8 x 1 Bolt
3	260599	2	Hinge
4	34259	2	3/8 x 3 Bolt
5	34094	1	1/2 Washer
6	34095	2	3/8 Stover Lock Nut
7	34272	4	1/2 x 2-1/4 Bolt
8	260649	1	Endgate Frame
9	260662	1	Endgate
10	34211	4	1/2 Nylon Stop Nut
11	34035	1	1/2 Lock Washer
12	260543	1	Rubber Strip
13	260512	1	Strip Support
14	34052	7	1/4 Washer
15	34235	10	1/4 Lock Washer
16	34003	10	1/4 Nut
17	34198	1	1/2 Thin Nylon Stop Nut
18	215127	1	Actuator
19	34271	1	1/2 x 2-1/2 Bolt
20	34226	1	1/2 x 1-1/2 Bolt
21	260742	1	Actuator Bracket
22	34141	6	3/8 Lock Washer
23	34087	6	3/8 Nut
24	260668	1	Wire Shield
25	260572	1	Actuator Base
26	34034	1	1/2 Nut
27	34224	2	3/8 x 1-1/4 Bolt
28	261074	1	Extension Wire
29	261071	1	Control Box with Wire (includes item 30)
30	261072	1	Control Box Switch
31	261073	1	Control Box Battery Wire

Fines Pan Assembly



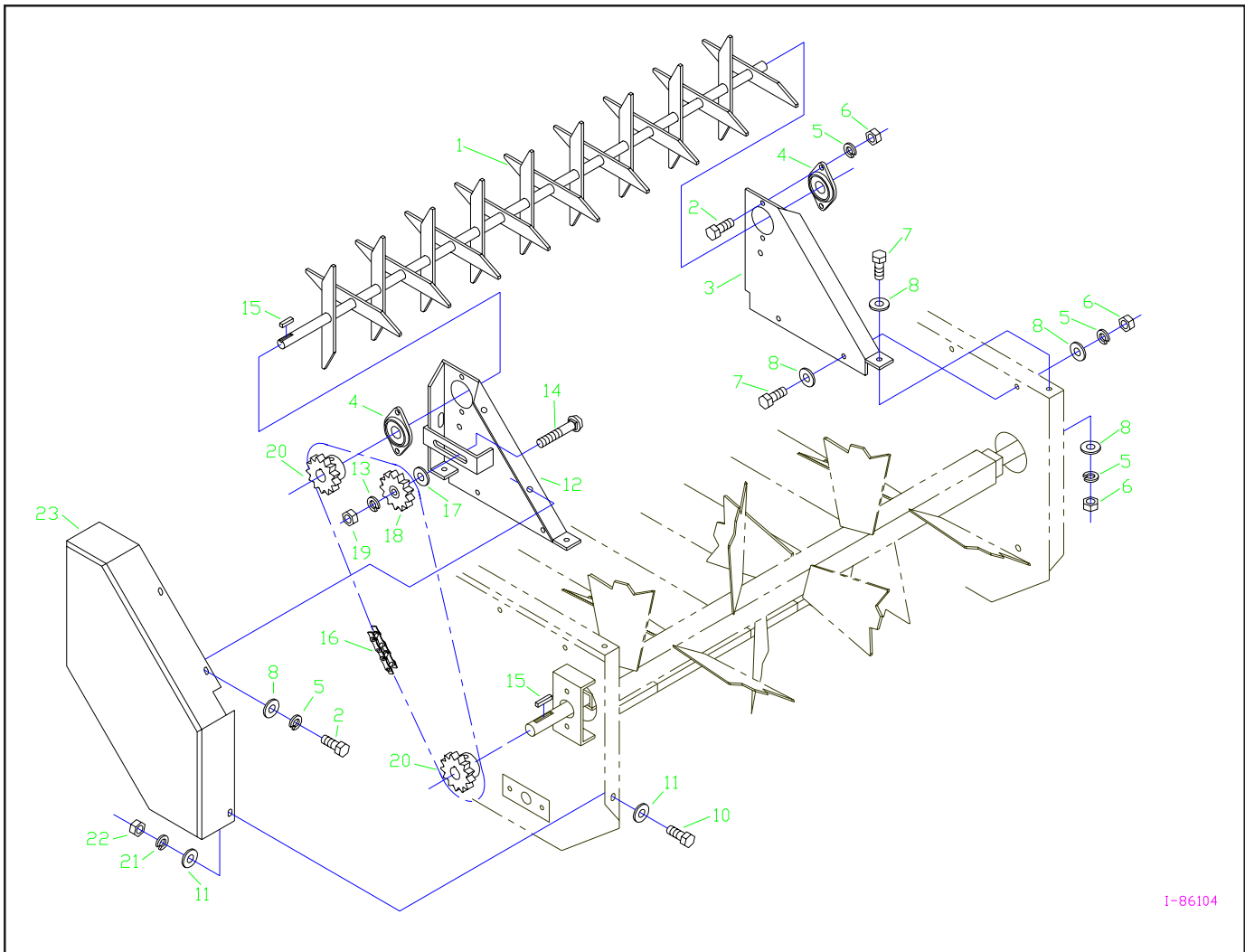
1-86103

Figure B3 - Fines Pan Assembly Parts Detail

Fines Pan Assembly (continued)

<u>Item #</u>	<u>Millcreek Part #</u>	<u>Qty.</u>	<u>Component Description</u>
1	34234	7	1/4 x 3/4 Bolt
2	34052	7	1/4 Washer
3	260434	1	Rubber Hold Down
4	260435	1	Rubber Strip
5	260577	2	Hinge Bracket
6	260894	1	Fines Pan
7	34235	12	1/4 Lock Washer
8	34003	13	1/4 Nut
9	34224	2	3/8 x 1-1/4 Bolt
10	260998	2	Bushing
11	34018	4	3/8 Washer
12	34020	4	5/16 Nut
13	34203	4	5/16 Lock Washer
14	34141	2	3/8 Lock Washer
15	34251	1	1/4 x 1-1/2 Bolt
16	34226	1	1/2 x 1-1/2 Bolt
17	34198	1	1/2 Thin Nylon Stop Nut
18	34211	1	1/2 Nylon Stop Nut
19	260574	1	Latch
20	220105	1	Spring
21	N/A	1	Rope
22	34221	4	5/16 x 1 Bolt
23	220119	2	U-Bolt
24	220124	2	Rope Guide
25	34087	2	3/8 Nut

Upper Beater Assembly



I-86104

Figure B4 - Upper Beater Assembly Parts Detail

Upper Beater Assembly (continued)

<u>Item #</u>	<u>Millcreek Part #</u>	<u>Qty.</u>	<u>Component Description</u>
1	260823	1	Upper Beater
2	34200	6	5/16 x 3/4 Bolt
3	260899	1	Right Beater Bracket
4	210144	2	Spherical Bearing
5	34203	14	5/16 Lock Washer
6	34020	12	5/16 Nut
7	34221	8	5/16 x 1 Bolt
8	34057	18	5/16 Washer
9	N/A	4	5/16 x 5/16 Set Screw
10	34234	1	1/4 x 3/4 Bolt
11	34052	2	1/4 Washer
12	260903	1	Left Beater Bracket
13	34035	1	1/2 Lock Washer
14	34266	1	1/2 x 2-1/2 Carriage Bolt
15	210131	2	1/4 x 1-1/4 Key
16	210114	1	#50 Chain (66 Links)
	210284	AR	#50 Master Link
17	34094	5	1/2 Washer
18	210205	1	Idler Sprocket
19	34034	1	1/2 Nut
20	210145	2	12 Tooth Sprocket
21	34235	1	1/4 Lock Washer
22	34003	1	1/4 Nut
23	260576	1	Shield

