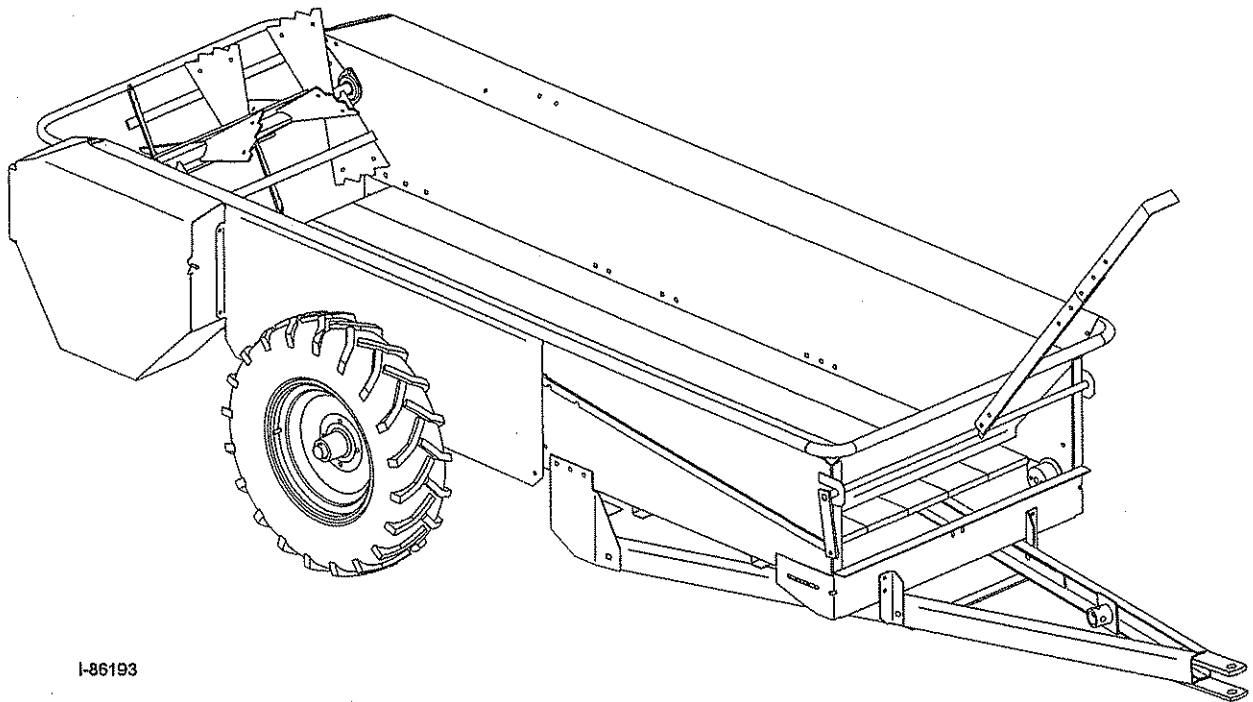


OPERATOR'S MANUAL

MILLCREEK MODELS:
6700G and 8700G
GROUND DRIVE SPREADERS



I-86193

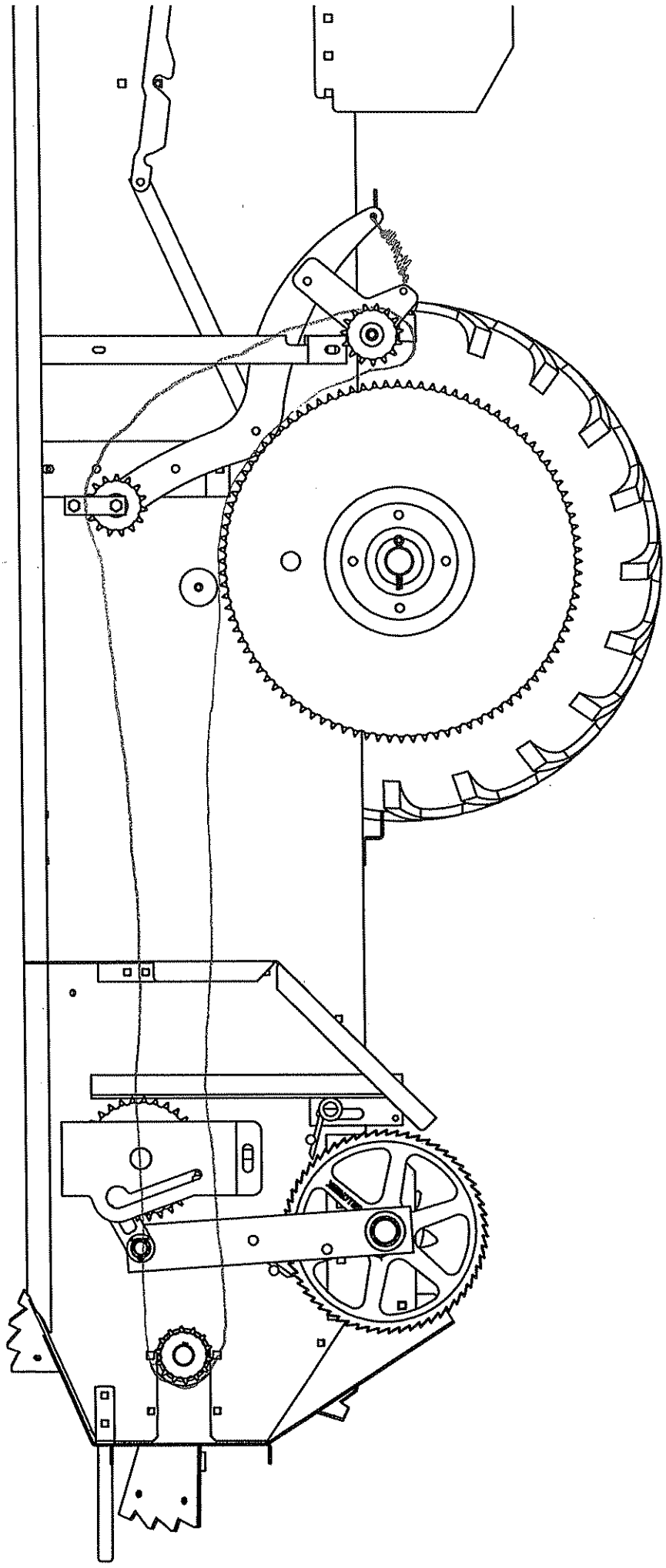
PUBLICATION DATE: 8/2/04, Rev. 4

MILLCREEK PART # 43822

Millcreek Manufacturing Company
34 Zimmerman Road
Leola, PA 17540
Phone: 1-800-311-1323 / Fax: 717-656-0952
www.millcreekmfg.com



WARNING: DO NOT assemble, operate, or maintain this equipment without first reading and understanding the information provided in this manual and the ADMA Safety Manual for Agricultural Implement Drivelines. Failure to follow all safety precautions as stated in these manuals may result in serious personal injury or death.



Ordering Information

When ordering replacement parts, please provide the following information to your local Millcreek dealer:

- Model and Serial Number of the unit (located on the front right corner of the spreader)
- Part Number and Description as it appears on the following drawings/parts lists

Hitch and Wheel Assemblies

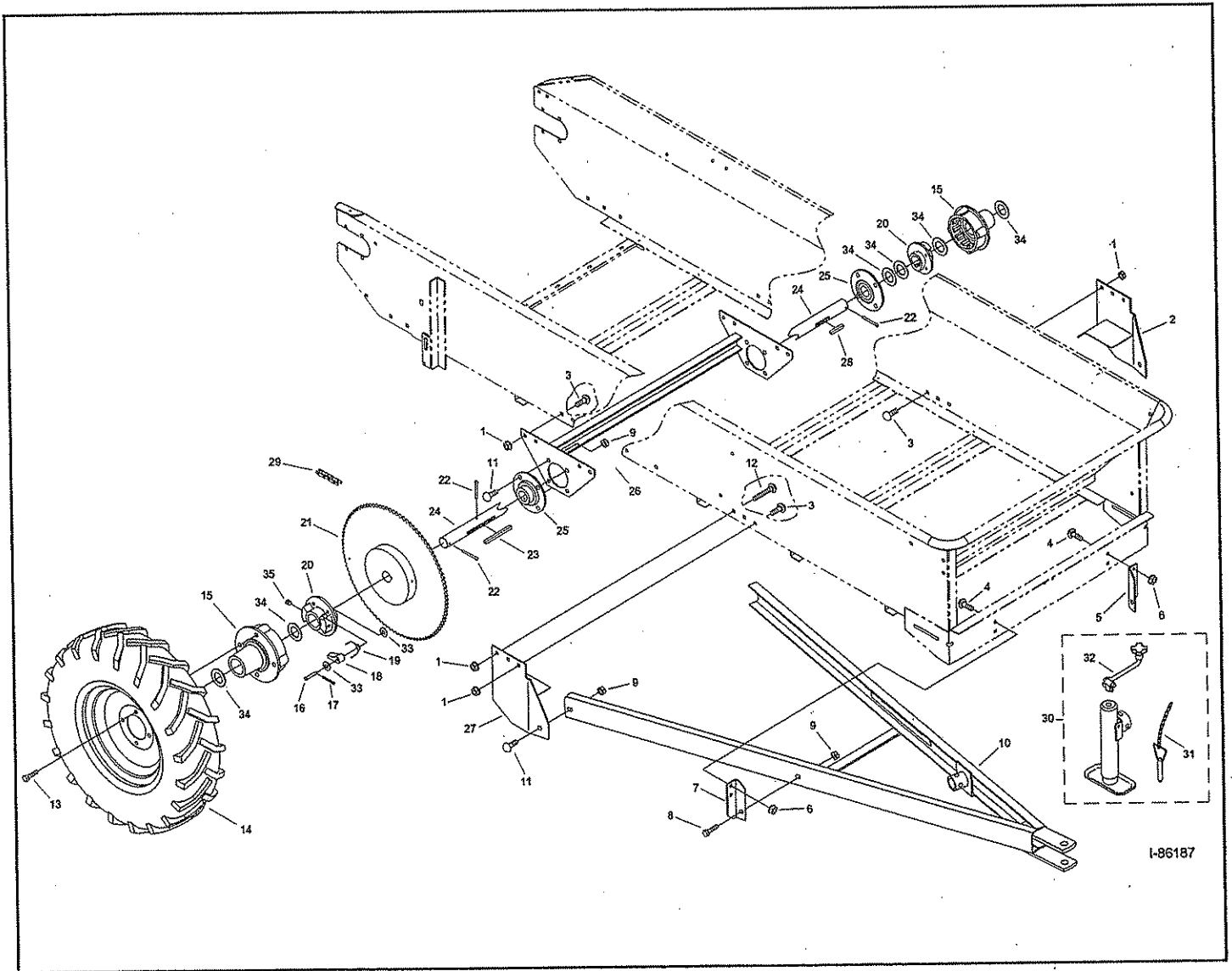


Figure A1 - Hitch Assembly Parts Detail

Hitch and Wheel Assemblies (continued)

<u>Item #</u>	<u>MC Part #</u>	<u>Qty.**</u>	<u>Component Description</u>
1	34009	14	3/8 Flange Nut
2	261204	1	Left Hitch Bracket
3	34191	14/13	3/8 x 3/4 Carriage Bolt
4	34274	4	5/16 x 3/4 Carriage Bolt
5	261202	1	Left Front Hitch Bracket
6	34099	4	5/16 Flange Nut
7	261203	1	Right Front Hitch Bracket
8	34085	2	1/2 x 1 Flange Bolt
9	34384	12	1/2 Flange Nut
10	261199	1	Hitch
11	34112	10	1/2 x 1 Carriage Bolt
12	34389	0/1	3/8 x 3-3/4 Carriage Bolt
13	34386	8	Lug Bolt
14	215128	1	Left Wheel and Tire
	215322	1	Right Wheel and Tire
	215106	2	Rim
	215121	2	Tire
15	215315	2	Ratcheting Hub (includes 2 Bushings 210405)
16	220168	2	1/4 x 1-1/2 Clevis Pin
17	34385	2	3/32 x 3/4 Cotter Pin
18	215317	2	Pawl
19	220169	2	Spring
20	215316	2	Keyed Hub
21	210370	1	96 Tooth Sprocket
22	34387	3	1/4 x 2-1/2 Cotter Pin
23	220177	1	3/8 x 4-3/4 Key
24	261294	1	Axle Shaft
25	210358	2	4-Bolt Flange Bearing
26	261393	1	Axle
27	261207	1	Right Hitch Bracket
28	220179	1	3/8 x 2 Key
29	210420	1	Chain for model 6700 (#50 RC x 180 Links)
	210373	1	Chain for model 8700 (#50 RC x 202 Links)
30	215320	1	Complete Jack
31	215323	1	Jack Pin & Chain
32	215331	1	Jack Crank
33	34052	4	1/4 Washer
34	210378	6	1-1/2 Thrust Washer
35	34312	4	3/8 x 3/8 Set Screw

****NOTE:** If two quantities are listed (e.g. 4/6), the first quantity applies for Model 6700G, and the second applies for Model 8700G.

Rear Drive Assembly

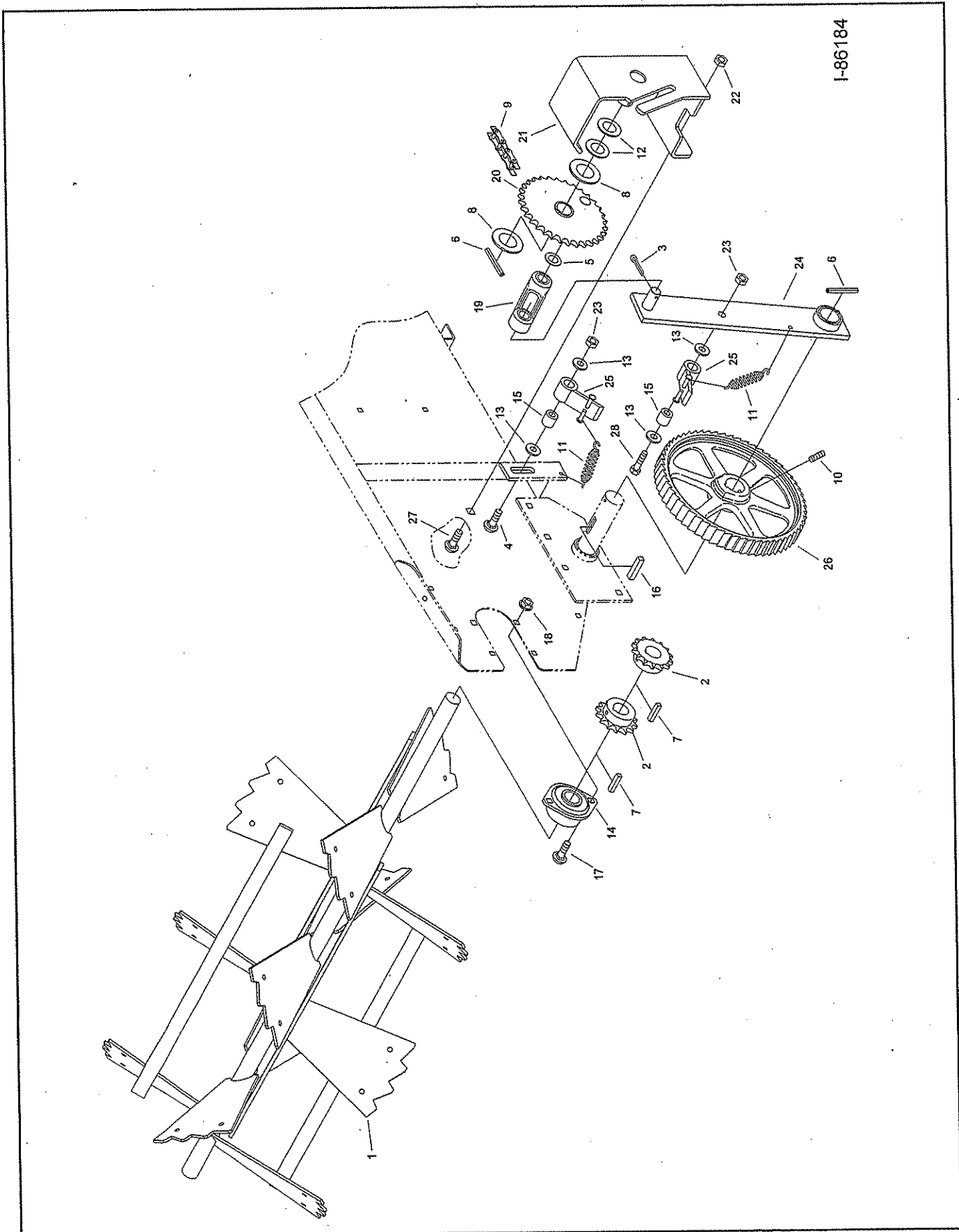


Figure A2 - Rear Drive Assembly Parts Detail

Rear Drive Assembly (continued)

<u>Item #</u>	<u>MC Part #</u>	<u>Qty.</u>	<u>Component Description</u>
1	261509	1	Beater
2	210428	2	14 Tooth Sprocket (includes 2 set screws 34325)
3	34209	1	Cotter Pin
4	34266	1	1/2 x 2-1/2 Carriage Bolt
5	34201	1	3/4 SAE Washer
6	220181	2	3/16 x 2-3/4 Roll Pin
7	210130	2	Key 1/4 x 1
8	210378	2	1-1/2 Washer
9	210372	1	Chain #50 RC x 58 Links (includes connector link 210284)
10	34383	1	3/8 x 3/4 Set Screw
11	220104	2	Pawl Spring
12	260281	2	1-1/8 Washer
13	34227	4	1/2 SAE Washer
14	261407	2	1-1/8" 2-Flange Bearing
15	210375	2	Pawl Bushing
16	220176	1	Key 5/16 x 1-1/2
17	34191	4	3/8 x 3/4 Carriage Bolt
18	34009	4	3/8 Flange Nut
19	261229	1	Pitman Link (includes 2 bushings 210403)
20	261230	1	Crank Sprocket (includes bushing 210100)
21	261367	1	Crank Sprocket Bracket
22	34384	2	1/2 Flange Nut
23	34211	2	1/2 Nylon Lock Nut
24	261227	1	Crank Arm (includes bushing 210364)
25	261288	2	Pawl
26	210368	1	Ratchet Wheel
27	34112	2	1/2 x 1 Carriage Bolt
28	34230	1	1/2 x 3 Bolt

Front Drive Assembly

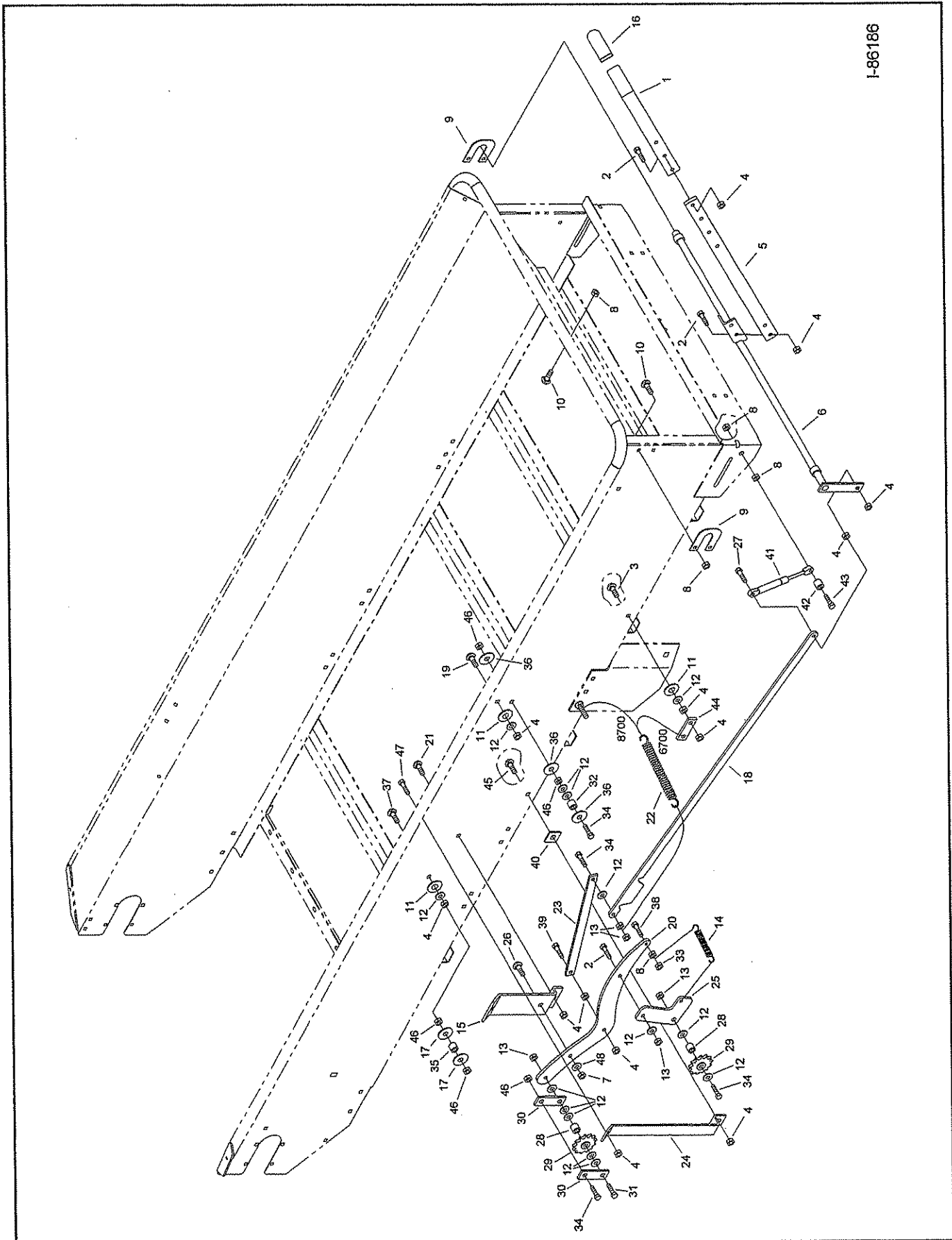


Figure A3 - Front Drive Assembly Parts Detail

Front Drive Assembly (continued)

<u>Item #</u>	<u>MC Part #</u>	<u>Qty.**</u>	<u>Component Description</u>
1	261266	1	Extension Handle
2	34224	5	3/8 x 1-1/4 Bolt
3	34389	1/0	3/8 x 3-3/4 Bolt
4	34009	13	3/8 Flange Nut
5	261359	1	Lever
6	261280	1	Lever Pivot Shaft
7	34095	1	3/8 Stover Nut
8	34099	9	5/16 Flange Nut
9	261301	2	Lever Pivot
10	34337	6	5/16 x 1/2 Carriage Bolt
11	34094	3	1/2 Washer
12	34018	12	3/8 Washer
13	34220	5	3/8 Nylon Lock Nut
14	220171	1	Chain Tensioner Spring
15	261298	1	Lift Arm Bracket
16	220157	1	Rubber Sleeve
17	220182	2	3/8 Chamfered Washer
18	261394	1	Lift Arm Front Linkage 6700
	261286	1	Lift Arm Front Linkage 8700
19	34218	1/2	3/8 x 1-1/2 Carriage Bolt
20	261319	1	Lift Arm
21	34191	2	3/8 x 3/4 Carriage Bolt
22	220105	1	Long Spring
23	261435	1	Lift Arm Link
24	261300	1	Lift Arm Guide
25	261318	1	Idler Bracket
26	34305	1	3/8 x 1-1/4 Carriage Bolt
27	34278	1	3/8 x 2 Bolt
28	280262	2	Spacer
29	210433	2	Idler Sprocket
30	261379	2	Chain Guide Bracket
31	34242	1	3/8 x 2-1/2 Bolt
32	210408	1	Guide Roller
33	34223	1	5/16 Nylon Lock Nut
34	34252	4	3/8 x 1-3/4 Bolt
35	210377	1	Chain Guide Tube
36	34373	3	Large 3/8 Washer
37	34390	1	3/8 x 3-1/2 Carriage Bolt
38	34222	1	5/16 x 1-1/4 Bolt
39	34255	1	3/8 x 1-1/2 Bolt
40	261507	0/1	Square Washer
41	220163	1	Gas Shock
42	210342	1	Spacer
43	34257	1	5/16 x 1-1/2 Bolt
44	261508	1/0	Spring Bracket
45	34006	0/1	3/8 x 1 Carriage Bolt
46	34391	5	3/8 Center Lock Nut
47	34330	1	3/8 x 3/4 Flange Bolt
48	34057	1	5/16 Washer

****NOTE:** If two quantities are listed (e.g. 4/6), the first quantity applies for Model 6700G, and the second applies for Model 8700G.

Apron Chain and Sprocket Assembly (continued)

<u>Item #</u>	<u>MC Part #</u>	<u>Qty.**</u>	<u>Component Description</u>
1	210381	2	Apron Sprocket
2	220178	2	5/16 x 2-1/4 Key
3	261219	1	Apron Shaft
4	34009	6	3/8 Flange Nut
5	261213	2	Apron Shaft Bracket (includes bushing 210364)
6	34191	6	3/8 x 3/4 Carriage Bolt
7	34247	4	3/8 x 3-1/4 Carriage Bolt
8	220167	2	Plastic Idler
9	34373	6	3/8 Large Washer
10	220172	2	Eyebolt
11	34220	6	3/8 Nylon Stop Nut
12	34018	6	3/8 Washer
13	260482	1/2	Poly Board Bracket
14	34099	12/18	5/16 Flange Nut
15	261480	6	Poly Board (6700)
	261482	6	Poly Board (8700)
16	34320	12/18	5/16 x 1-1/4 Carriage Bolt
17	261478	1	Complete Apron (6700)
	261479	1	Complete Apron (8700)
	261373	11/14	Apron Slat
	210282	166/220	Standard Link
	210257	11/14	Left Connector Link
	210255	11/14	Right Connector Link
	220109	22/28	1/4 x 5/8 Rivet
18	210378	2	1-1/2 Thrust Washer
19	34312	2	3/8 x 3/8 Set Screw

****NOTE:** If two quantities are listed (e.g. 4/6), the first quantity applies for Model 6700G, and the second applies for Model 8700G.

Safety Shields & Guards

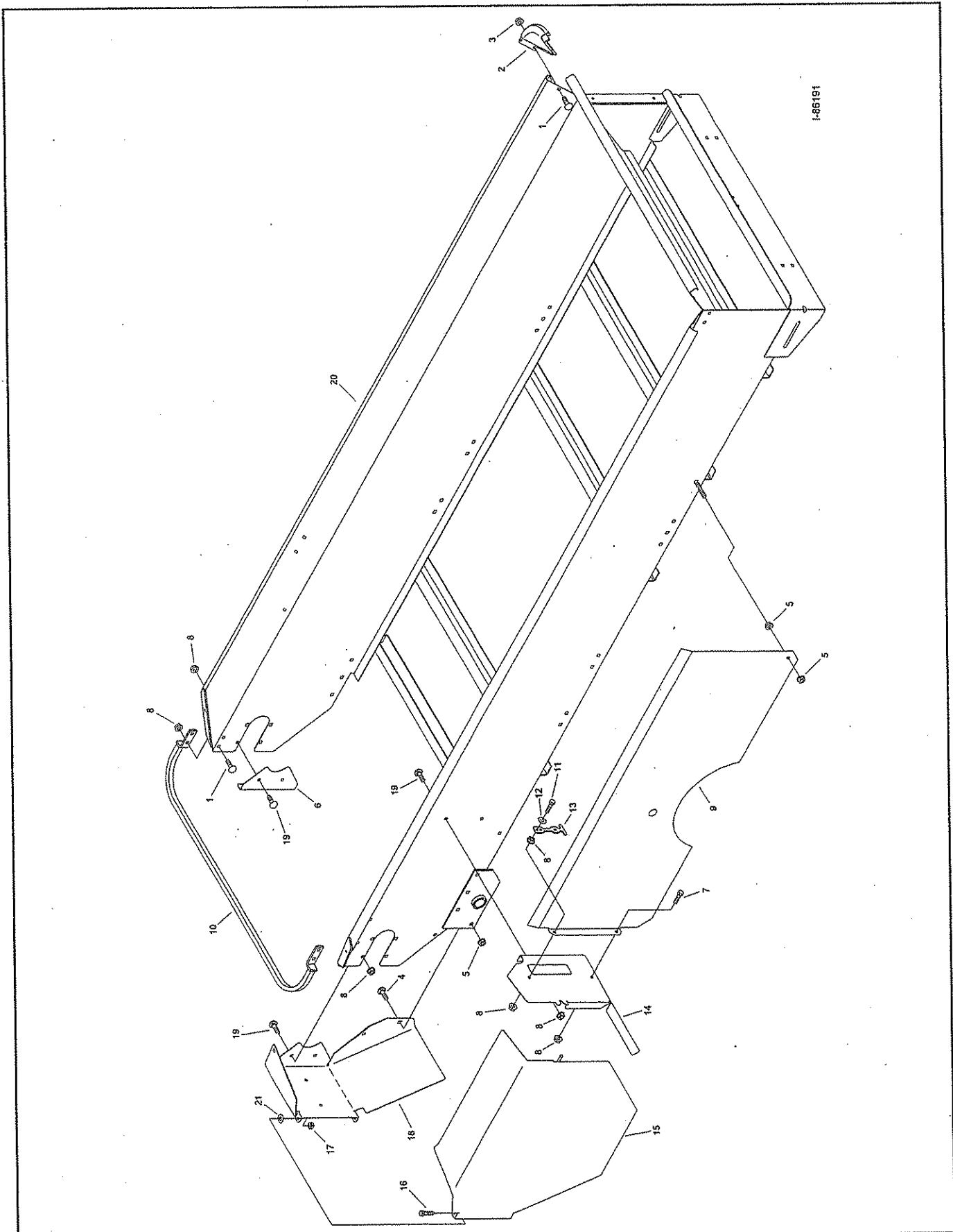


Figure A5 - Safety Shields and Guards Parts Detail

Safety Shields (continued)

<u>Item #</u>	<u>MC Part #</u>	<u>Qty.**</u>	<u>Component Description</u>
1	34274	8	5/16 x 3/4 Carriage Bolt
2	215314	2	Cast Corner
3	34367	4	5/16 Large Flange Nut
4	34191	1	3/8 x 3/4 Carriage Bolt
5	34009	3/2	3/8 Flange Nut
6	261290	1	Left Rear Guard
7	34136	1	5/16 x 1/2 Flange Bolt
8	34099	13	5/16 Flange Nut
9	261398	1	Side Shield (6700)
	261314	1	Side Shield (8700)
10	261238	1	Beater Guard Bar
11	34222	1	5/16 x 1-1/4 Bolt
12	34057	1	5/16 Washer
13	220113	1	Rubber Latch
14	261313	1	Front of Rear Shield
15	261378	1	Rear Shield Door
16	34200	2	5/16 x 3/4 Bolt
17	34072	2	5/16 Stover Nut
18	261291	1	Back Shield
19	34337	8	5/16 x 1/2 Carriage Bolt
20	261390	1	Box 6700 GD
	261273	1	Box 8700 GD
21	34052	1	1/4 Washer

****NOTE:** If two quantities are listed (e.g. 4/6), the first quantity applies for Model 6700G, and the second applies for Model 8700G.