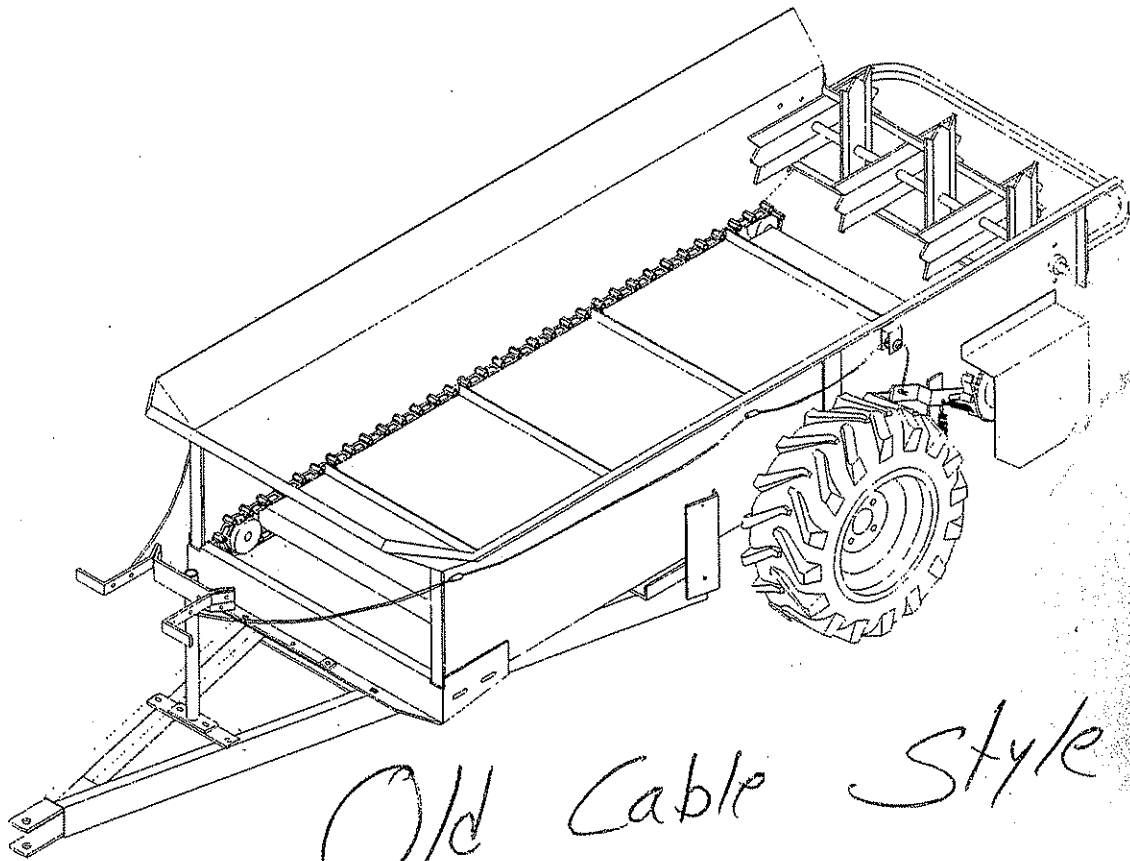


# OPERATOR'S MANUAL

**MILLCREEK MODELS:  
25 SPREADER  
35 SPREADER**



*Old Cable Style*

**PUBLICATION DATE: 3/15/00, Rev. 1**

**MILLCREEK PART # 43801**

Millcreek Manufacturing Company  
2617 Stumptown Road  
Bird-In-Hand, PA 17505  
Phone: 717-656-3050 / Fax: 717-556-0279

## Procedures for Spreader Adjustment

Problems with spreader operation may indicate that certain adjustments are required to restore proper functioning. The following procedures address common problems which may be encountered in spreader operation.

### Adjusting the Rear Pawl

If the floor apron chain is not moving, the most common cause is improper brake (rear) pawl adjustment. (by jacking up the lefthand drive wheel and turning the wheel by hand, you will be able to observe the brake pawl engagement in the sprocket teeth.)

1. Refer to Figure 4C.
2. Remove the shield covering the brake pawl assembly by removing the two (2) bolts, washers, and nuts holding it in place.
3. Loosen the nut behind the brake pawl using a 9/16" wrench.
4. With the roller positioned at the highest point on the star cam, tap the brake pawl up or down as necessary to attain a 1/16" to 1/8" clearance between the brake pawl and the sprocket tooth (see close-up detail in Figure 4C).
5. After the desired adjustment is achieved, re-tighten the rear nut.
6. Replace the safety shield.

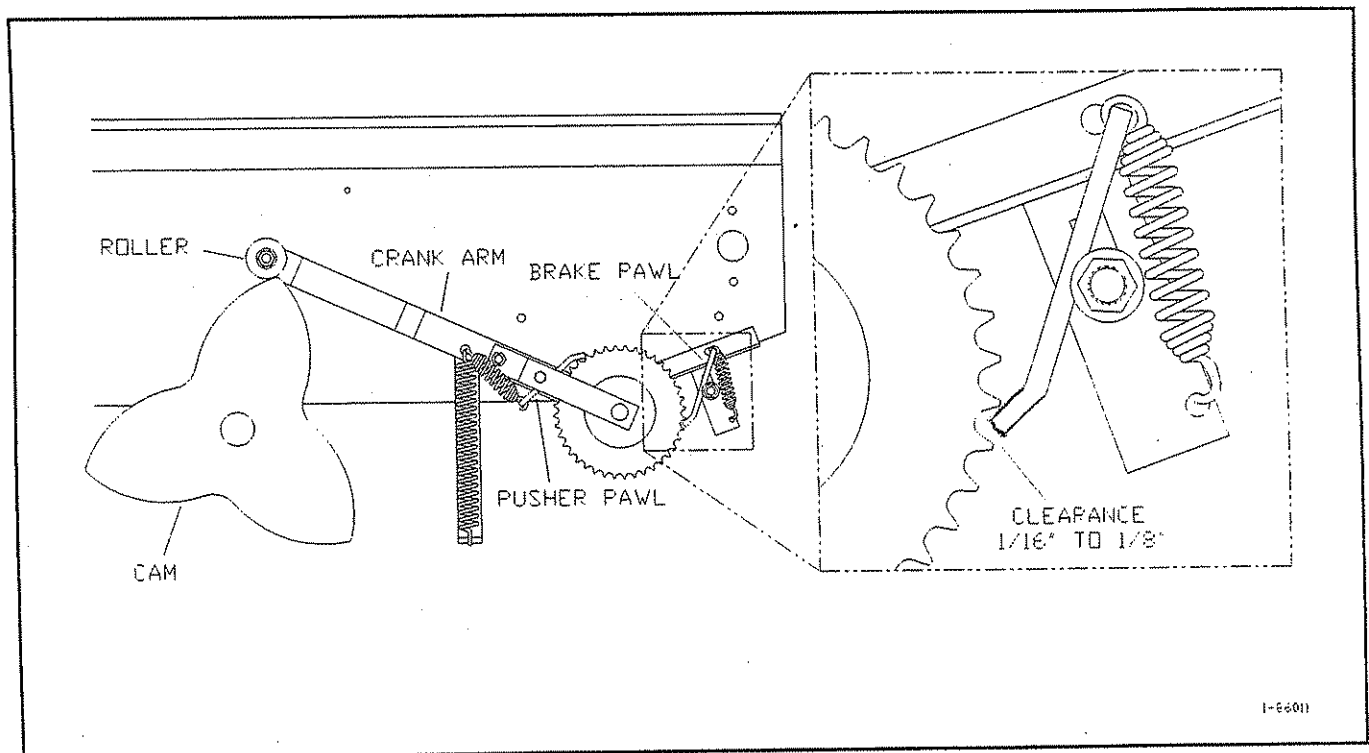


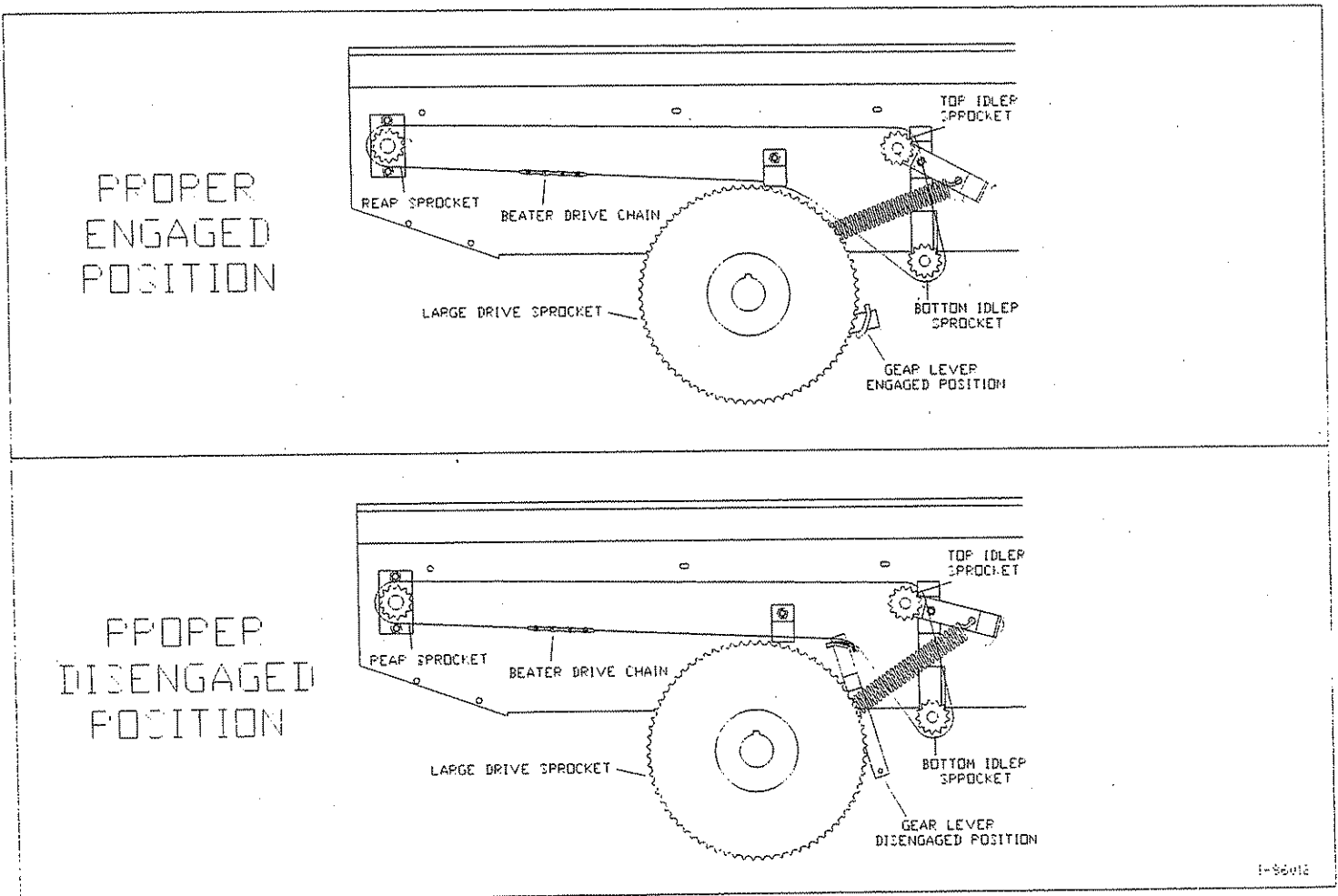
Figure 4C - Adjusting the Rear Brake Pawl

## Procedures for Spreader Adjustment (continued)

### Re-installing the Beater Drive Chain

Backward motion (backing up) with the spreader engaged will most probably cause the beater drive chain to come off the rear sprocket. The following procedure explains how to re-install the chain should this ever become necessary.

1. Disconnect the spreader from the tractor.
2. Jack up and secure the right side of the spreader.
3. Remove the right wheel by removing the four (4) bolts, washers, and nuts.
4. Remove the right safety shield by removing the four (4) bolts, washers, and nuts.
5. Engage the lever for the beater drive chain into unloading mode.
6. Refer to Figure 4D. Re-install the chain on the rear sprocket.
7. Re-install the chain over the large drive sprocket.
8. Re-install the chain around the bottom idler sprocket.
9. Re-install the chain over the top idler sprocket by pushing the top idler sprocket to the rear of the spreader. Ensure that the chain is positioned properly as shown in Figure 4D.
10. Re-install the safety shield and right wheel.



**Figure 4D - Beater Drive Chain Installed in the Proper (Engaged) Position**

## Ordering Information

When ordering replacement parts, please provide the following information to your local Millcreek dealer:

- Model and Serial Number of the unit (located on the front right corner of the spreader)
- Part Number and Description as it appears on the following drawings/parts lists

## Spreader Box Assembly & Safety Shields

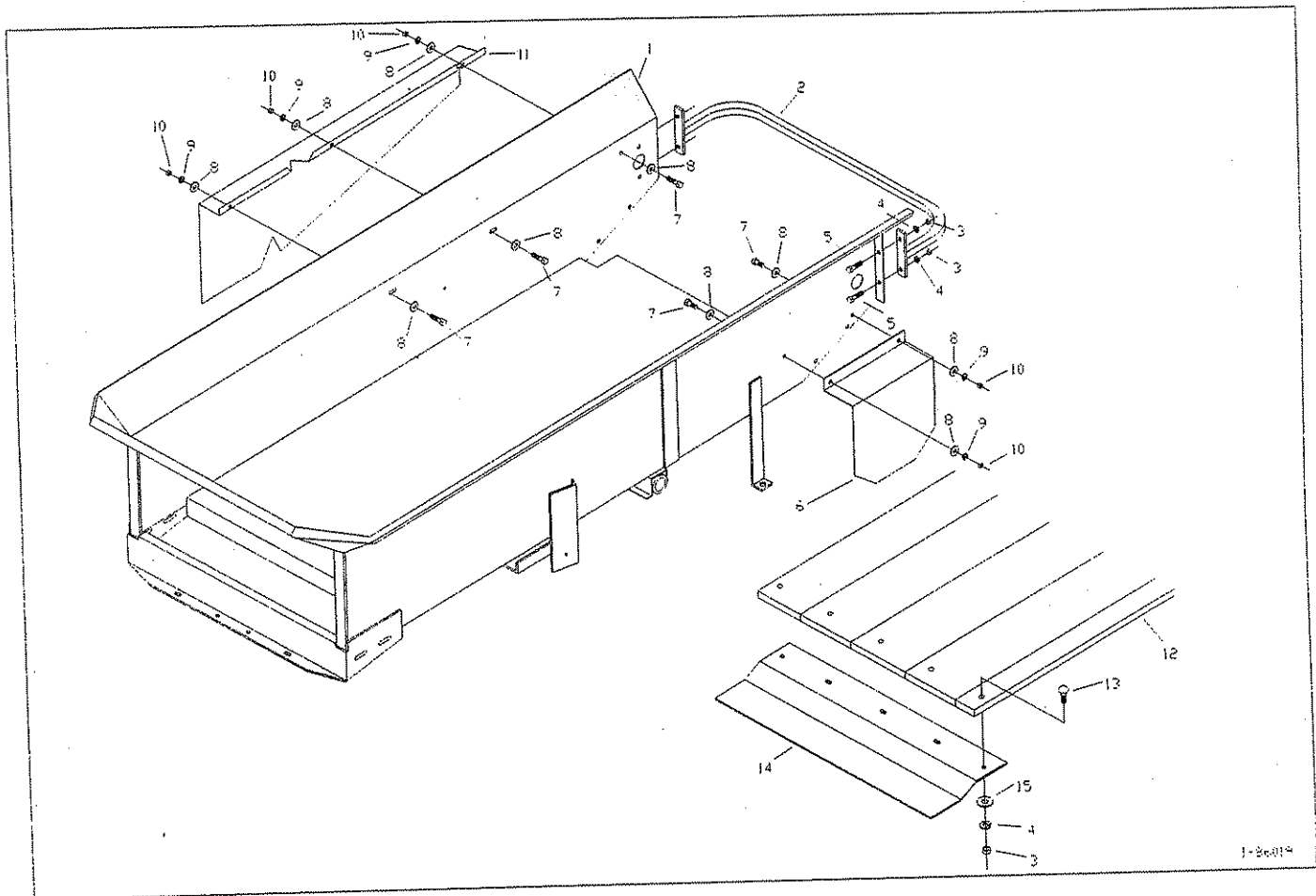


Figure A1 - Spreader Box Assembly Parts Detail

**Spreader Box Assembly (continued)**

<u>Item#</u>	<u>Millcreek Part#</u>	<u>Qty.</u>	<u>Component Description</u>
1	260177	1	Model 25 Spreader Box, Poly
	260176	1	Model 25 Spreader Box, Steel
	260179	1	Model 35 Spreader Box, Poly
	260178	1	Model 35 Spreader Box, Steel
2	260338	1	Rear Guard
3	34020	19	5/16 Nut
4	34203	19	5/16 Lock Washer
5	34200	4	5/16 x 3/4 Bolt
6	260129	1	Shield Ratchet
7	34234	5	1/4 x 3/4 Bolt
8	34052	10	1/4 Flat Washer
9	34235	5	1/4 Lock Washer
10	34003	5	1/4 Nut
11	260128	1	Beater Drive Shield
12	215100	4.5	Model 25, Poly Board
	215102	4.5	Model 35, Poly Board
13	34282	15	5/16 x 1-1/2 Carriage Bolt
14	260112	2	Poly Floor Hold Down
15	34057	15	5/16 Flat Washer

## Axle and Wheel Assembly

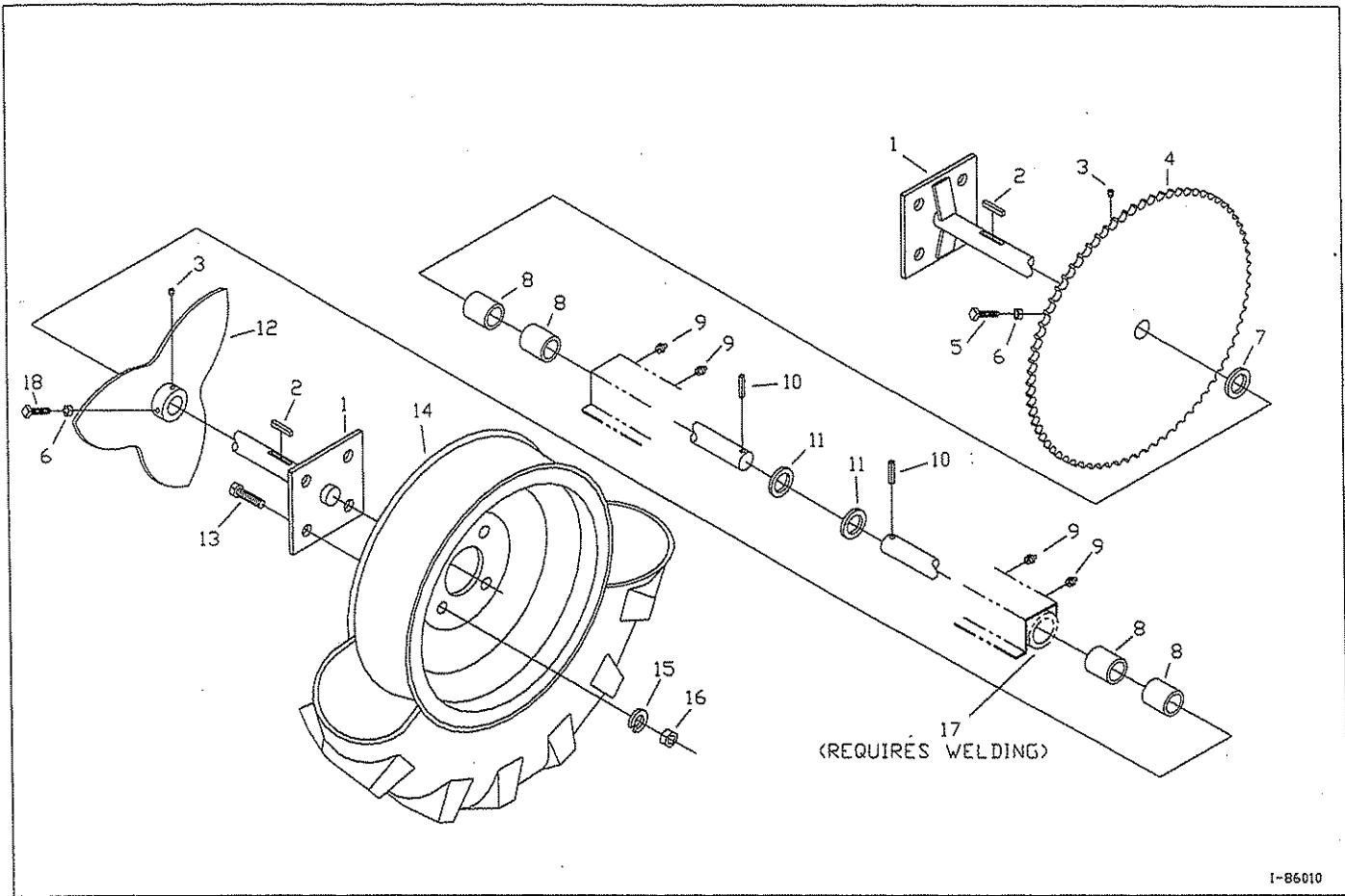


Figure 2 - Axle and Wheel Assembly Parts Detail

**NOTE:** The spreader tires are mounted in reverse direction of the "normal" installation.

On retro Fitted New Style AXLE

1 pc	261146	Service Axle	WA.
4 pc	210329	Bearing	
2 pc	220106	Roll Pin	

Complete AXLE Kit #261161

please include instruction Sheet

**Axle and Wheel Assembly (continued)**

<u>Item#</u>	<u>Millcreek Part#</u>	<u>Qty.</u>	<u>Component Description</u>
1	260121	2	Axle Shaft
2	210130	2	Key, 1/4 x 1
3	N/A	2	5/16 x 5/16 Set Screw
4	210125	1	72 Tooth Sprocket (includes items #3, 5, & 6)
5	34215	1	5/16 x 2 Square Head Set Screw
6	34020	2	5/16 Nut
7	34216	1	1" SAE Flat Washer
8	210120	4	Bushing
9	220101	4	Lube Fitting
10	220106	2	Pin Roll, 1/4 x 1-1/4
11	260122	2	Washer
12	260263	1	Star Cam
13	34226	8	1/2 x 1-1/2 Bolt
14	215120	2	Wheel and Tire
	215134	1	Steel Wheel Option, RH
	215135	1	Steel Wheel Option, LH
15	34035	8	1/2 Lock Washer
16	34034	8	1/2 Nut
17	260123	4	Axle Bearing (includes items #8 & 9)
18	34290	1	5/16 x 1 Square Head Set Screw

# Hitch Assembly and Spreader Controls

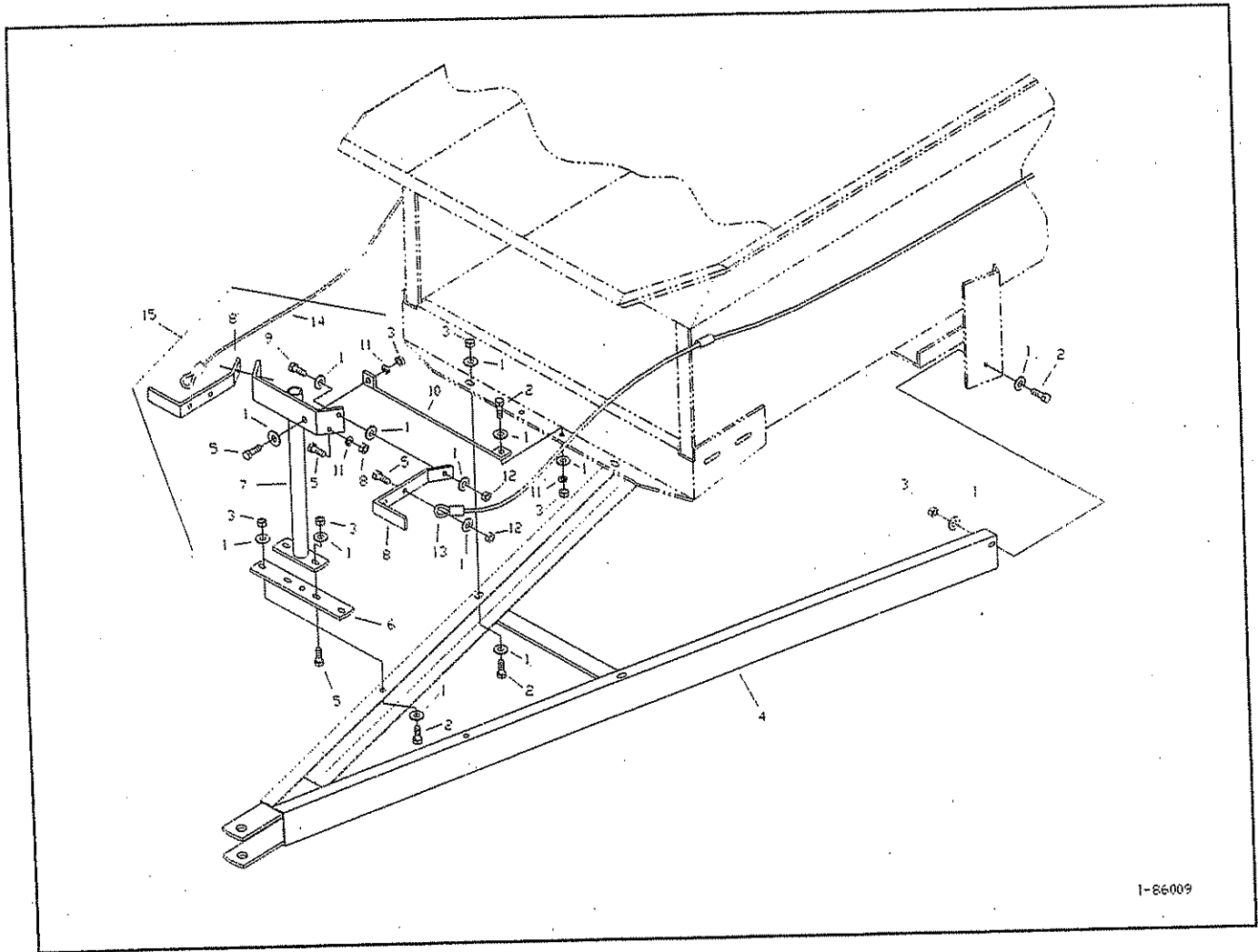


Figure A3 - Hitch Assembly and Controls Parts Detail



**Hitch Assembly and Spreader Controls (continued)**

<u>Item#</u>	<u>Millcreek Part#</u>	<u>Qty.</u>	<u>Component Description</u>
1	34057	25	5/16 Flat Washer
2	34200	7	5/16 x 3/4 Bolt
3	34020	12	5/16 Nut
4	260102	1	Hitch
5	34221	7	5/16 x 1 Bolt
6	260106	1	Support, Controls
7	260111	1	Control Stand
8	260108	2	Lever Cable
9	34222	2	5/16 x 1-1/4 Bolt
10	260109	1	Brace, Controls
11	34203	4	5/16 Lock Washer
12	34223	4	5/16 Stop Nut
13	260351	1	Apron Cable, Model 25
	260353	1	Apron Cable, Model 35
14	260349	1	Short Cable, Model 25
	260352	1	Short Cable, model 35
15	260975	1	Hitch Lever Kit -- (includes items # 6, 7, 8, 10, 13, 14 & hardware)

## Apron Chain and Sprocket Assembly

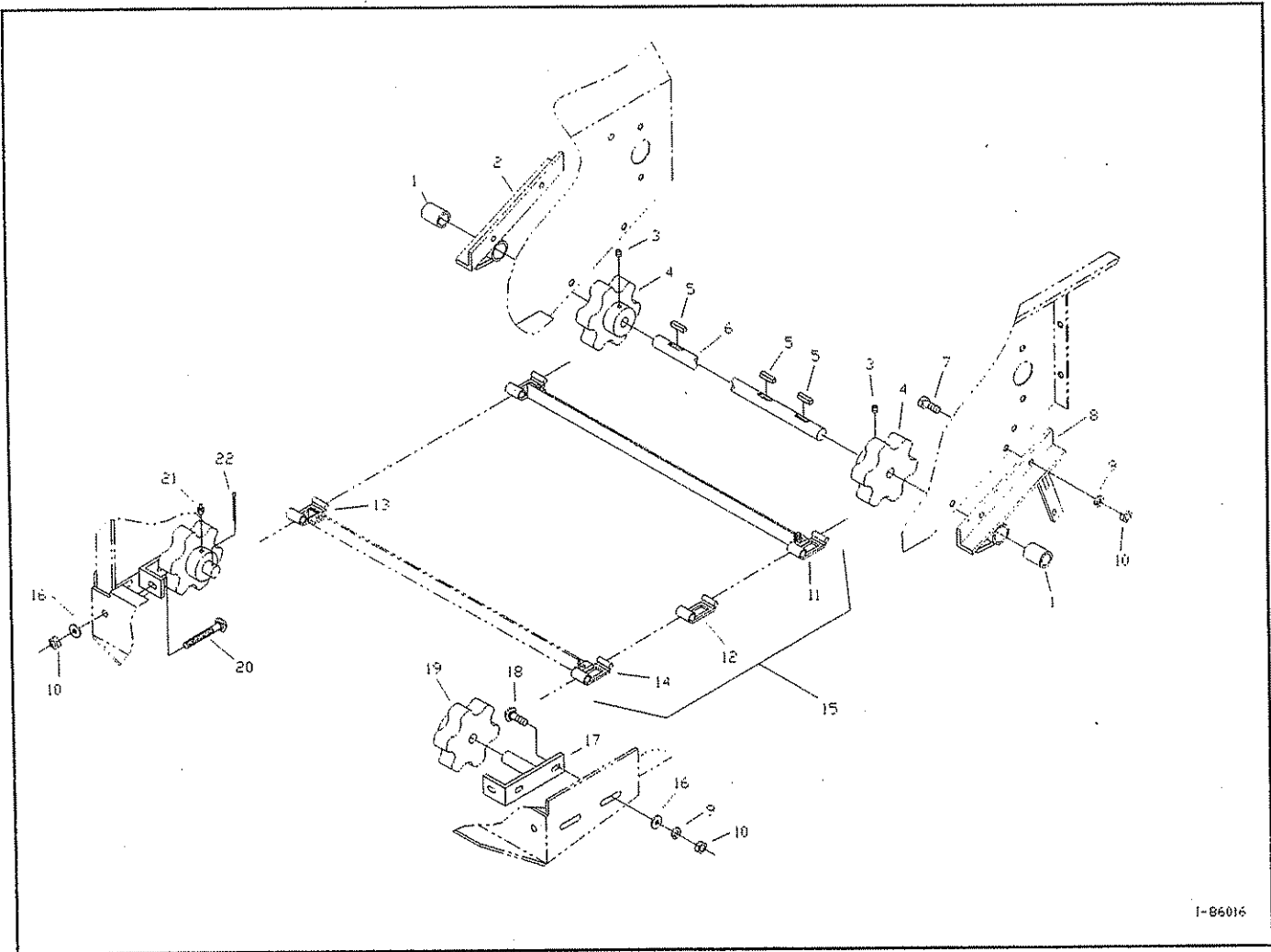


Figure A4 - Apron Chain and Sprocket Assembly Parts Detail

**Apron Chain and Sprocket Assembly (continued)**

<u>Item#</u>	<u>Millcreek Part#</u>	<u>Qty.</u>	<u>Component Description</u>
1	210110	2	Bushing
2	260325	1	Apron Bearing, RH (includes item #1)
3	N/A	2	5/16 x 5/16 Set Screw
4	210111	2	Apron Sprocket (includes item #3)
5	210129	3	Key Square, 3/16 x 1
6	260130	1	Apron Shaft
7	34200	4	5/16 x 3/4 Bolt
8	260328	1	Apron Bearing, LH (includes item #1)
9	34203	8	5/16 Lock Washer
10	34020	10	5/16 Nut
11	260973	8	Apron Slat, Model 25 (includes items #13, 14)
	260973	11	Apron Slat, Model 35 (includes items #13, 14)
12	210238	144	Apron Link, Model 25
	210238	178	Apron Link, Model 35
13	210236	8	Attachment Link, RH, Model 25
	210236	11	Attachment Link, RH, Model 35
14	210237	8	Attachment Link, LH, Model 25
	210237	11	Attachment Link, LH, Model 35
15	260499	1	Apron Assembly, Model 25
	260500	1	Apron Assembly, Model 35
16	34057	6	5/16 Flat Washer
17	260329	2	Bracket Tightener
18	34250	4	5/16 x 1 Carriage Bolt
19	210112	2	Idler Sprocket (includes item #21)
20	34283	2	5/16 x 2-1/2 Carriage Bolt
21	220101	2	Lube Fitting
22	34209	2	5/32 x 1-1/2 Cotter Pin

# Apron Chain Drive Group

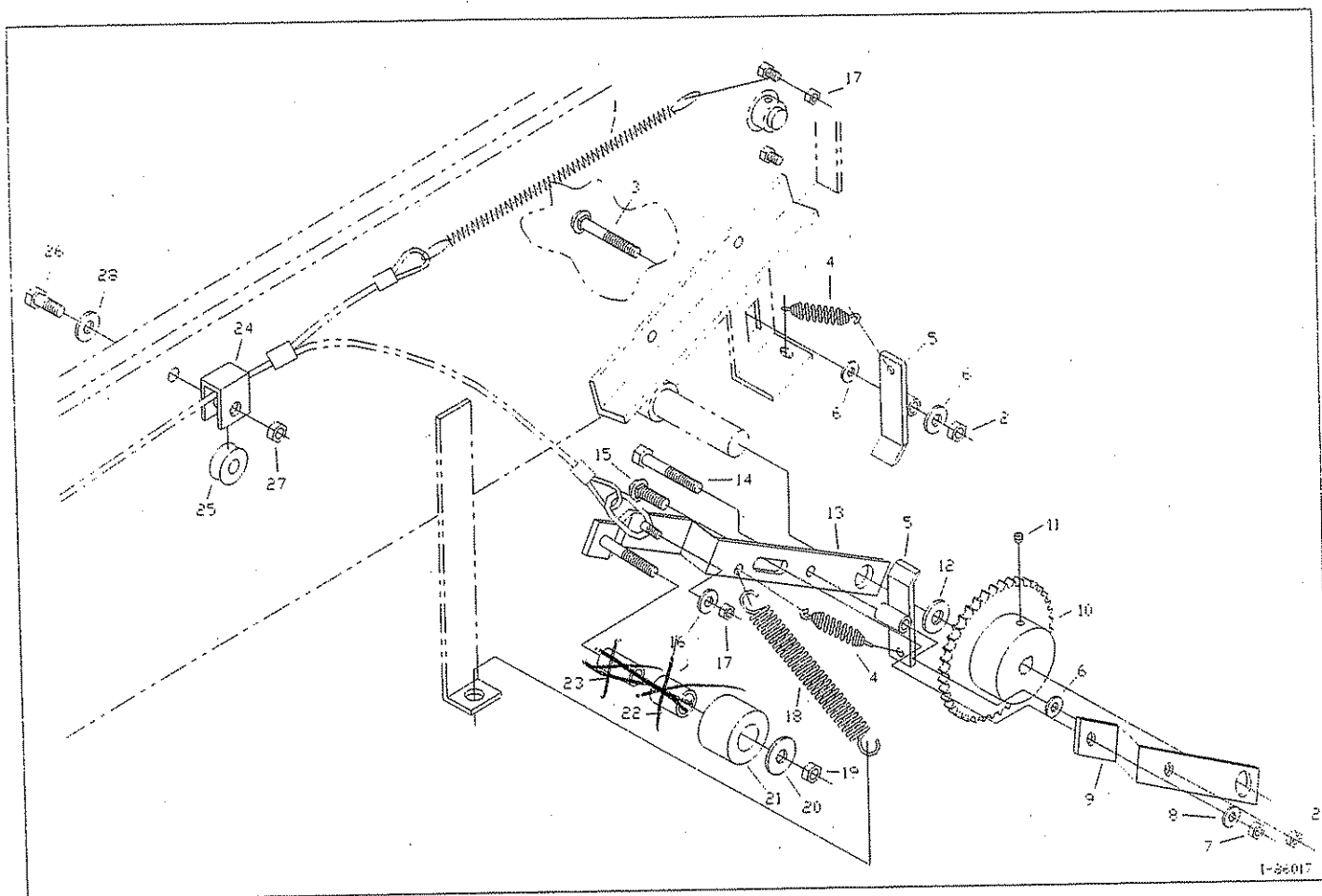


Figure A5 - Apron Chain Drive Group Parts Detail

## Apron Chain Drive Group (continued)

<u>Item#</u>	<u>Millcreek Part#</u>	<u>Qty.</u>	<u>Component Description</u>
1	220116	1	Spring
2	34220	2	3/8 Stop Nut
3	34219	1	3/8 x 2-1/2 Carriage Bolt
4	220104	2	Pawl Spring
5	260332	2	Pawl
6	34018	3	3/8 Flat Washer
7	34087	1	3/8 Nut
8	34141	1	3/8 Lock Washer
9	260196	1	Crank Arm, Short
10	210119	1	40 Tooth Sprocket (includes item #11)
11	N/A	1	5/16 x 5/16 Set Screw
12	34201	1	3/4 SAE Flat Washer
13	260303	1	Crank Arm, Long
14	34202	1	3/8 x 2-1/4 Bolt
15	34006	1	3/8 x 1 Carriage Bolt
16	34057	1	5/16 Flat Washer
17	34223	2	5/16 Stop Nut
18	220105	1	Ratchet Spring
19	34198	1	1/2 Thin Stop Nut
20	34094	1	1/2 Flat Washer
21	261050	1	Cam Roller (includes item #22)
22	<del>210133</del>	1	Bushing
23	<del>260131</del>	1	Sleeve
24	260195	1	5/8 Cable Guide
25	220108	1	Pulley
26	34284	1	1/4 x 1-1/4 Bolt
27	34124	1	1/4 Stop Nut
28	34052	1	1/4 Flat Washer

## Beaters and Drive Assembly

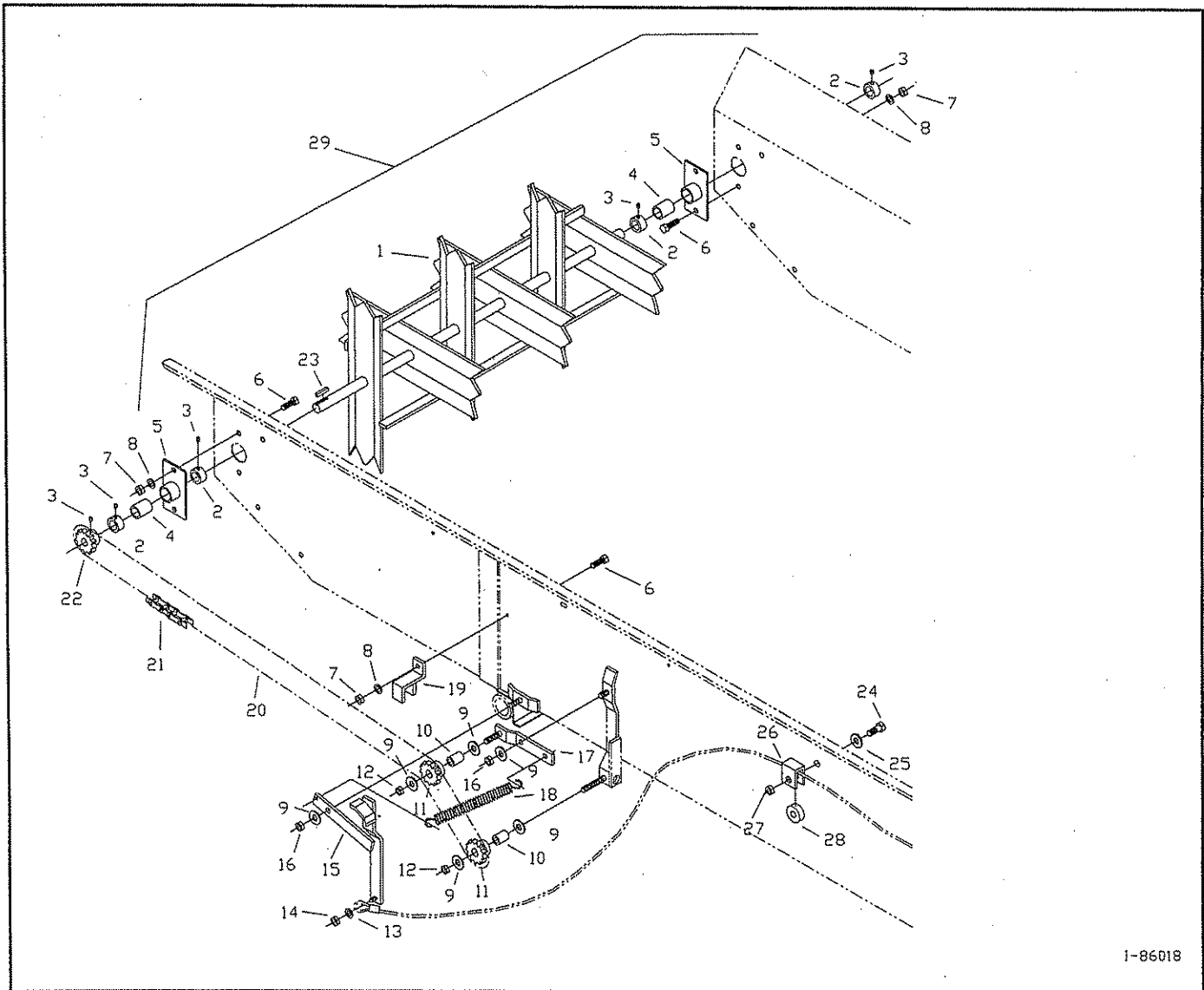


Figure A6 - Beaters and Drive Assembly Parts Detail

**Beaters and Drive Assembly (continued)**

<u>Item#</u>	<u>Millcreek Part#</u>	<u>Qty.</u>	<u>Component Description</u>
1	260234	1	Beater
2	210124	4	Collar (includes item #3)
3	N/A	5	5/16 x 5/16 Set Screw
4	210110	2	Bushing
5	260152	2	Beater Bearing (includes item #4)
6	34200	5	5/16 x 3/4 Bolt
7	34020	5	5/16 Nut
8	34203	6	5/16 Lock Washer
9	34018	2	3/8 Flat Washer
10	210103	2	Bushing
11	260345	2	13 Tooth Sprocket (includes item #10)
12	34220	2	3/8 Stover Nut
13	34052	1	1/4 Flat Washer
14	34124	1	1/4 Stop Nut
15	260188	1	Lifter Arm
16	34210	2	3/8 Thin Stop Nut
17	260181	1	Chain Tightener
18	220105	1	Ratchet Spring
19	260193	1	Chain Guide
20	210134	1	Chain Beater, A2040 x 84 links (includes item #21)
21	210239	1	Connector Link, A2040
22	210123	1	13 Tooth Sprocket (includes item #3)
23	210128	1	Key Square, 3/16 x 3/4
24	34124	1	1/4 x 1 Bolt
25	34052	1	1/4 Flat Washer
26	260194	1	3/8 Cable Guide
27	34124	1	1/4 Stop Nut
28	220107	1	Pulley
29	260199	1	Beater Assembly (includes items #1, 2, 3, 4, 5, & 23)