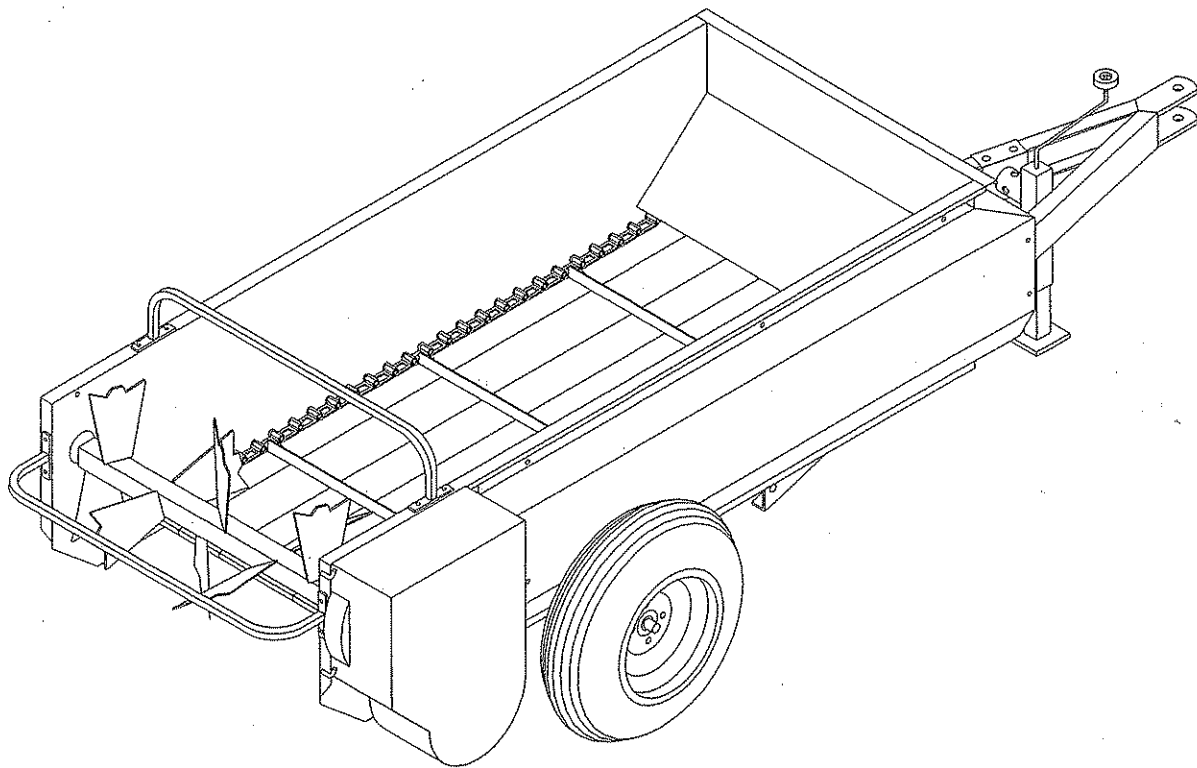


OPERATOR'S MANUAL

**MILLCREEK MODELS:
50P and 75P PTO SPREADERS**



I-86079

PUBLICATION DATE: 1/15/02, Rev. 2

MILLCREEK PART # 43805

Millcreek Manufacturing Company
34 Zimmerman Road
Leola, PA 17540
Phone: 717-656-3050 / Fax: 717-556-0279



WARNING: DO NOT assemble, operate, or maintain this equipment without first reading and understanding the information provided in this manual and the ADMA Safety Manual for Agricultural Implement Drivelines. Failure to follow all safety precautions as stated in these manuals may result in serious personal injury or death.

Replacing the Beater Drive Belt

If the Beater Drive Belt has snapped or weakened (preventing optimal performance), replace the belt according to the following procedure.

1. Remove the front and side safety shields.
2. Refer to Figure 4D. Remove the top two crankarm bracket bolts and loosen the bottom two bolts. Remove the four bearing bracket bolts, and then remove the outer bearing.
3. Remove the old belt.
4. Install the new belt around the front pulley, and route it through the additional pulleys along the side of the spreader as shown in Figure 4D. *(Be sure to refer to the appropriate diagram for your model spreader.)*
5. After the belt has been properly positioned, re-install and tighten the crankarm bracket bolts. Also re-install the outer bearing and the bearing bracket bolts. Finally, replace the safety shields.

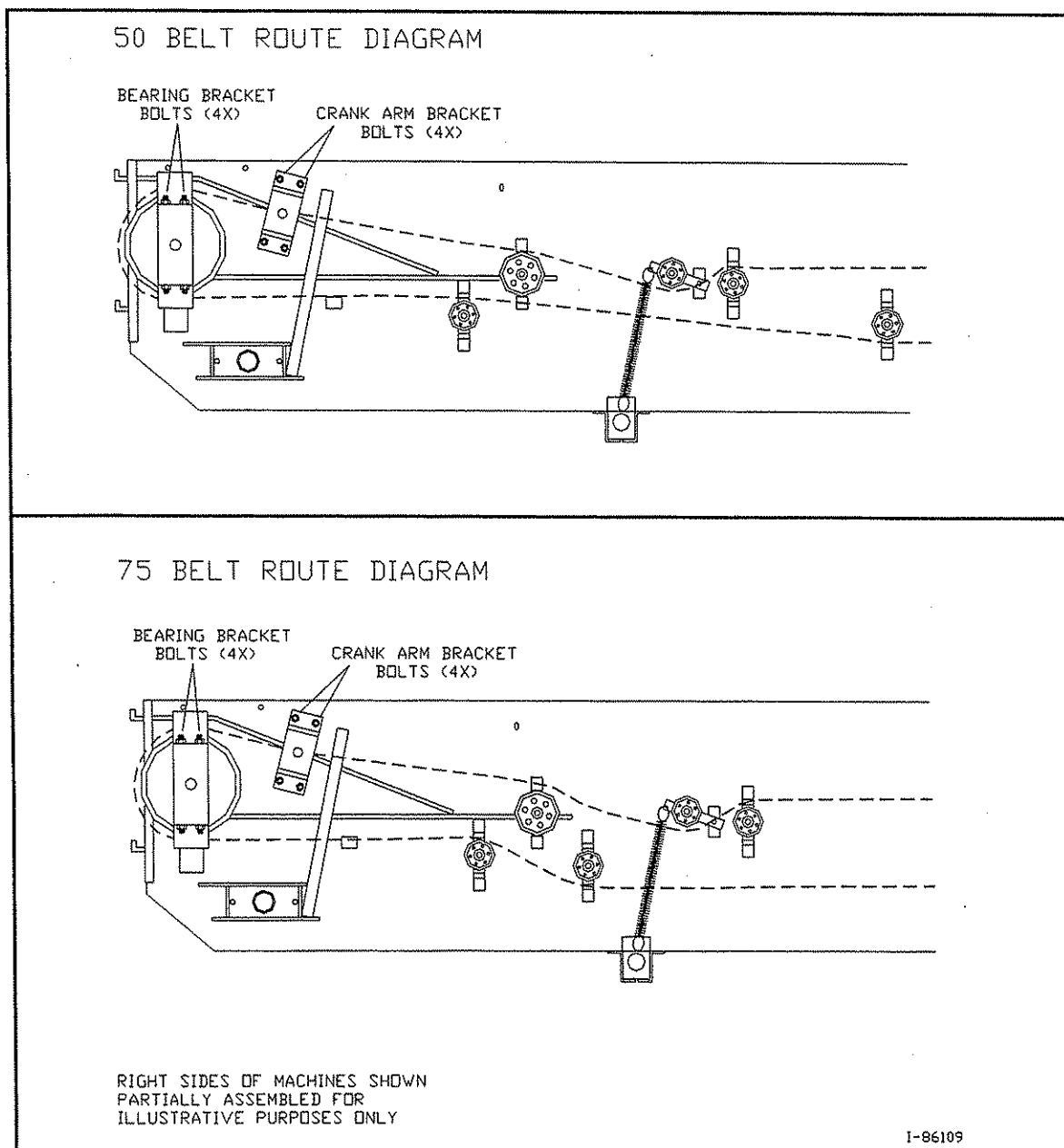


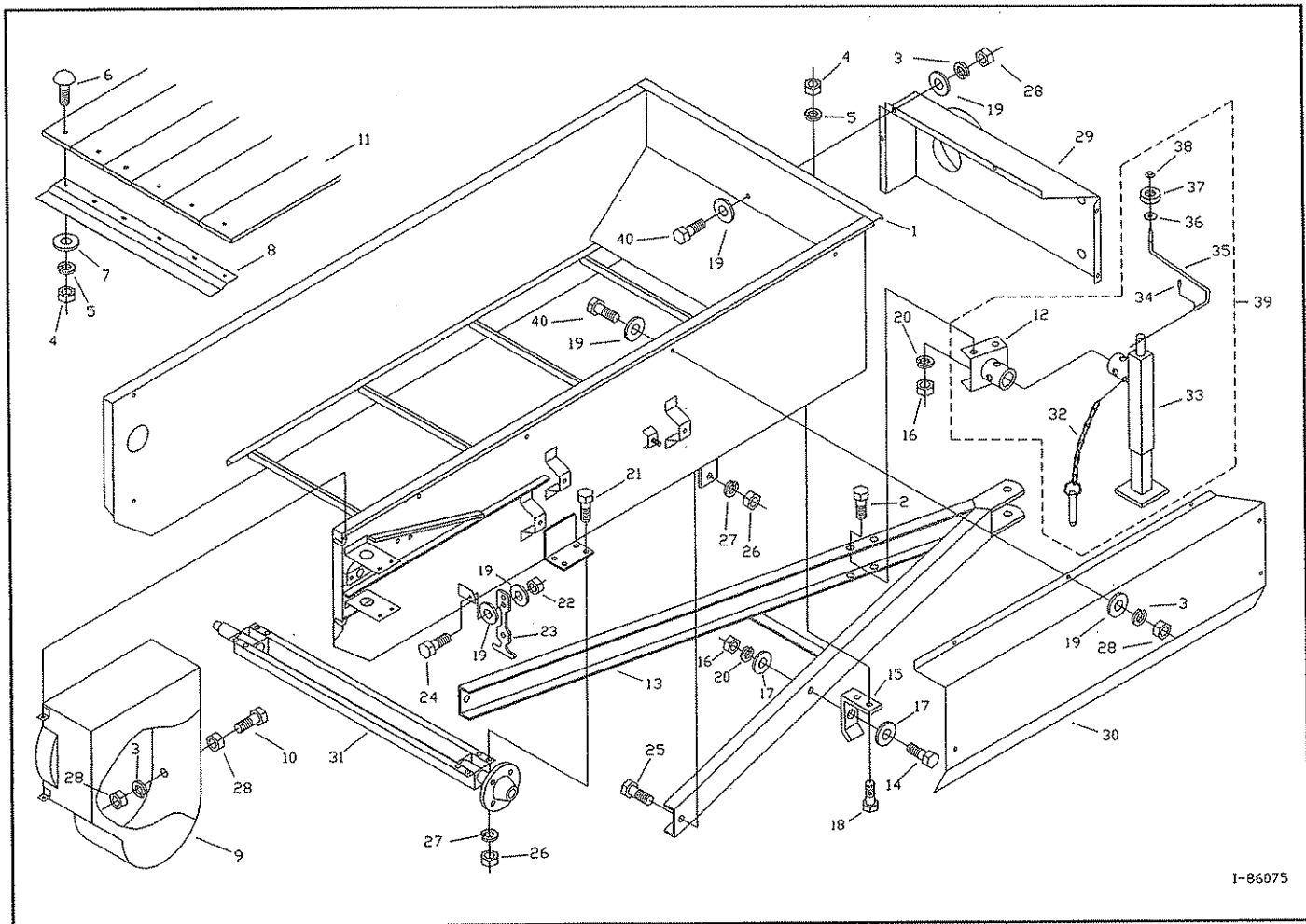
Figure 4D - Installing a New Belt

Ordering Information

When ordering replacement parts, please provide the following information to your local Millcreek dealer:

- Model and Serial Number of the unit (located on the front right corner of the spreader)
- Part Number and Description as it appears on the following drawings/parts lists

Spreader Box Assembly & Safety Shields



I-86075

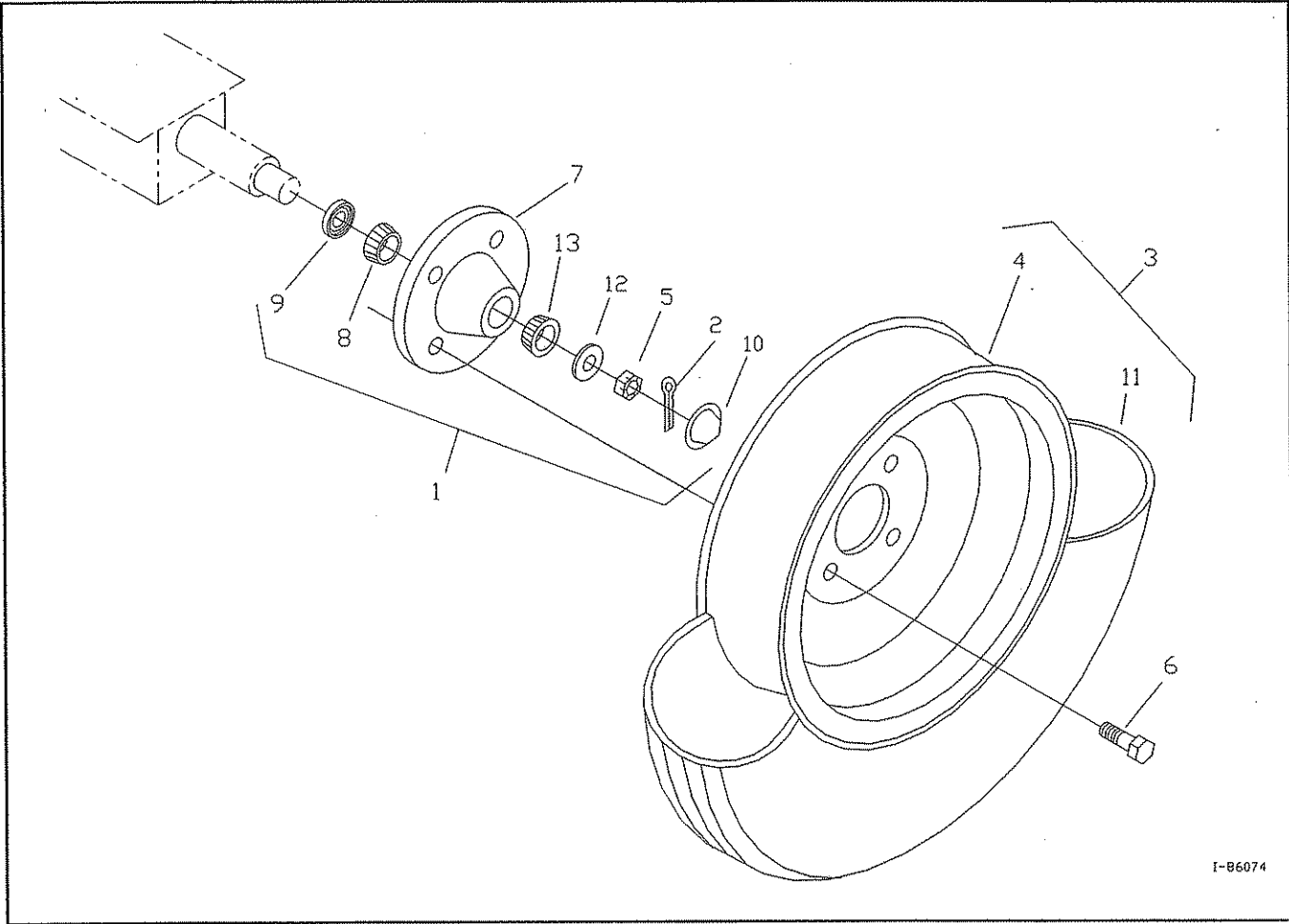
Figure A1 - Spreader Box Assembly Parts Detail

<u>Item#</u>	<u>Millcreek Part#</u>	<u>Qty.</u>	<u>Component Description</u>
1	260753	1	Model 50 PTO Box
	260883	1	Model 75 PTO Box
2	34199	4	3/8 x 1 Bolt
3	34235	10	1/4 Lock Washer
4	34020	18	5/16 Nut
5	34203	18	5/16 Lock Washer

Spreader Box Assembly (continued)

<u>Item#</u>	<u>Millcreek Part#</u>	<u>Qty.</u>	<u>Component Description</u>
6	34282	12	5/16 x 1-1/2 Carriage Bolt
7	34057	14	5/16 Washer
8	260482	1	Floor Hold-down
9	260140	1	Rear Shield
10	34251	1	1/4 x 1-1/2 Bolt
11	215101	6	Model 50 Poly Board
	215103	6	Model 75 Poly Board
12	215140	1	Jack Mounting Bracket
13	260495	1	Hitch
14	34242	2	3/8 x 2-1/2 Bolt
15	260488	2	Hitch Bracket
16	34087	6	3/8 Nut
17	34018	4	3/8 Washer
18	34221	4	5/16 x 1 Bolt
19	34052	16	1/4 Washer
20	34141	6	3/8 Lock Washer
21	34239	8	1/2 x 1 Bolt
22	34124	1	1/4 Nylon Stop Nut
23	220113	1	Rubber Latch
24	34214	1	1/4 x 1 Bolt
25	34230	2	1/2 x 3 Bolt
26	34034	10	1/2 Nut
27	34035	10	1/2 Lock Washer
28	34003	9	1/4 Nut
29	260529	1	Front Shield
30	260459	1	Model 50 Side Shield
	260460	1	Model 75 Side Shield
31	260521	1	Axle (without hubs)
	260980	1	Axle (with hubs)
32	215211	1	Pin and Chain
33	215213	1	Jack
34	220148	1	3/16 x 1 Roll Pin
35	215212	1	Jack Handle
36	34094	1	1/2 Washer
37	220149	1	Jack Knob
38	220150	1	Knob Retainer
39	215206	1	Complete Jack (includes items 12 and 32-38)
40	34234	9	1/4 x 3/4 Bolt

Wheel and Hub Assembly



I-B6074

Figure A2 - Wheel and Hub Assembly Parts Detail

Wheel and Hub Assembly (continued)

<u>Item#</u>	<u>Millcreek Part#</u>	<u>Qty.</u>	<u>Component Description</u>
1	215109	2	Complete Hub (includes items 2, 7-10, 12, 13)
2	34209	2	Cotter Pin
3	215123	2	Model 50 PTO Wheel and Used Tire (includes items 4, 11)
	215124	2	Model 75 PTO Wheel and Used Tire (includes items 4, 11)
	215131	2	Model 50 PTO Wheel and New Tire (includes items 4, 11)
	215132	2	Model 75 PTO Wheel and New Tire (includes items 4, 11)
4	215106	1	Wheel
5	215205	2	Hub Nut
6	215222	8	Wheel Lug
7	215204	2	Hub
8	215203	2	Inner Hub Bearing
9	215202	2	Hub Seal
10	215215	2	Dust Cap
11	215122	2	New Model 50 Tire
	215125	2	New Model 75 Tire
	215208	2	Used Model 50 Tire
	215209	2	Used Model 75 Tire
12	34201	2	3/4 SAE Washer
13	215229	2	Outer Hub Bearing

PTO Drive Line Assembly

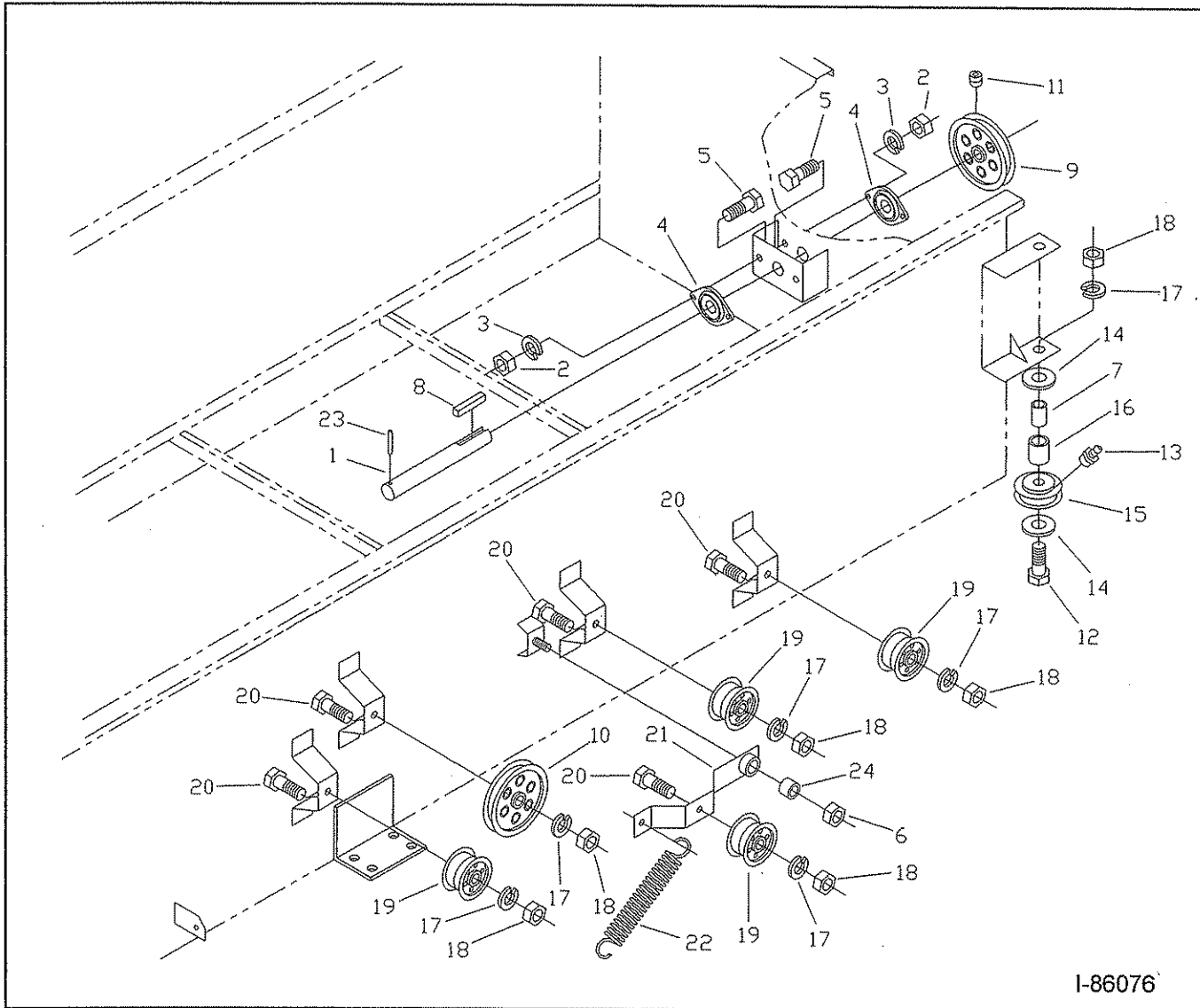


Figure A3 - PTO Drive Line Assembly Parts Detail

PTO Drive Line Assembly (continued)

<u>Item#</u>	<u>Millcreek Part#</u>	<u>Qty.</u>	<u>Component Description</u>
1	260218	1	PTO Stub Shaft
2	34020	4	5/16 Nut
3	34203	4	5/16 Lock Washer
4	210144	2	1" Spherical Bearing
5	34200	4	5/16 x 3/4 Bolt
6	34095	1	3/8 Stover Stop Nut
7	260533	2	Tubing
8	210223	2	1/4 x 2-1/4 Key
9	210199	1	Front PTO Pulley (includes item 11)
10	210201	1	Large Belt Idler Pulley
11	N/A	1	5/16 x 5/16 Set Screw
12	34254	2	1/2 x 2 Bolt
13	220101	2	Lube Fitting
14	34094	4	1/2 Washer
15	260544	2	Corner Idler Pulley (includes items 13, 16)
16	210110	2	Bushing
17	34035	7	1/2 Lock Washer
18	34034	7	1/2 Nut
19	210200	4	Belt Idler Pulley
20	34226	5	1/2 x 1-1/2 Bolt
21	260240	1	Belt Tightener
22	220123	1	Tightener Spring
23	220106	1	1/4 x 1-1/4 Roll Pin
24	210103	1	5/8 O.D. Bushing

PTO Shaft Assembly

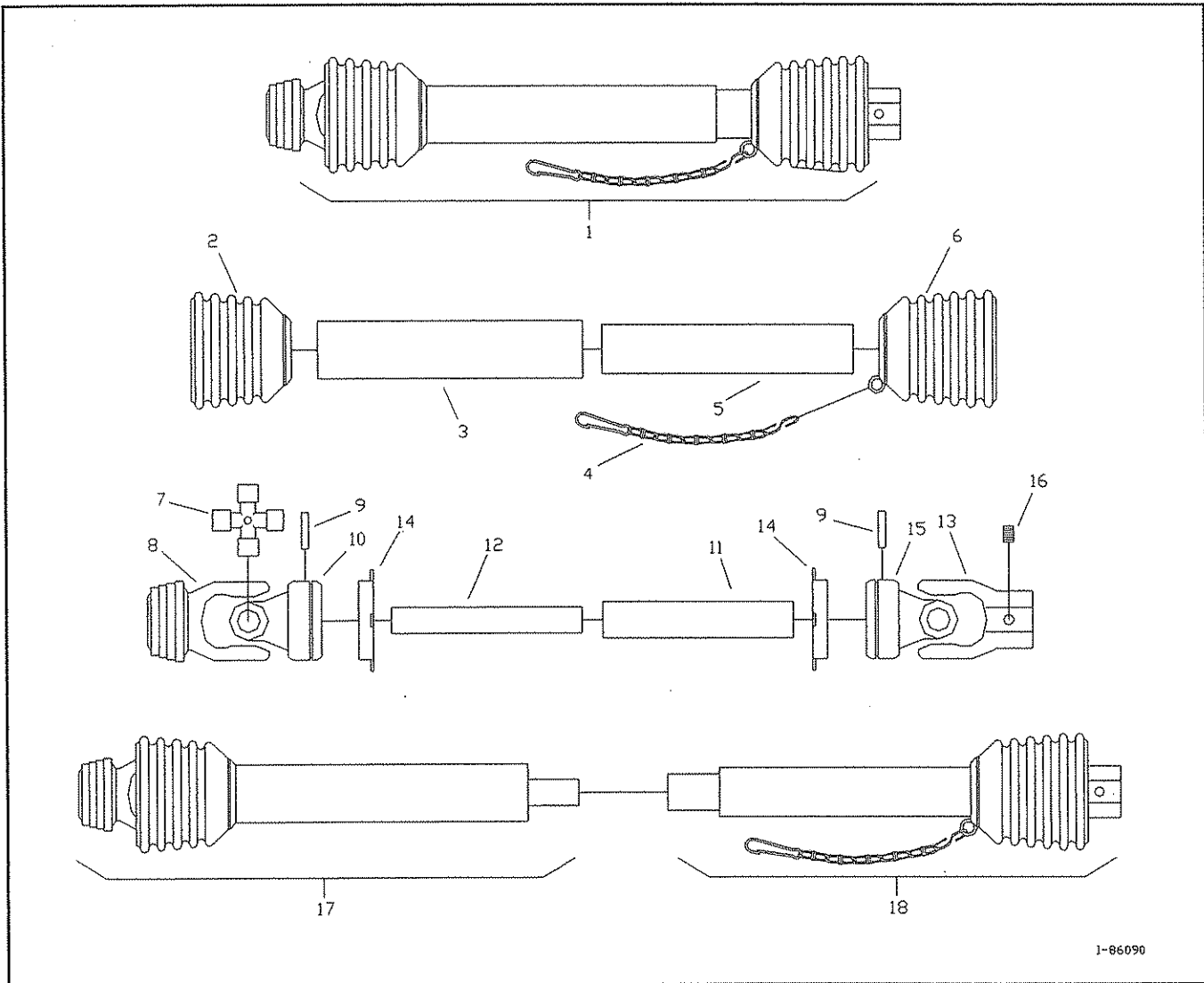


Figure A4 - PTO Shaft Assembly Parts Detail

PTO Shaft Assembly (continued)

<u>Item#</u>	<u>Millcreek Part#</u>	<u>Qty.</u>	<u>Component Description</u>
1	210164	1	Complete PTO Shaft
2	210285	1	5 Rib Shield Cone
3	210286	1	Outer Shield Tube
4	210291	1	Safety Chain
5	210290	1	Inner Shield Tube
6	210335	1	6 Rib Shield Cone
7	210292	2	Cross and Bearings
8	210293	1	Snap Yoke
9	210298	2	8 x 50mm Roll Pin
10	210294	1	Inboard Yoke
11	210295	1	Outer Profile
12	210296	1	Inner Profile
13	210297	1	Keyed Yoke
14	210310	2	Bearing Ring
15	210325	1	Inboard Yoke
16	N/A	2	3/8 x 3/8 Set Screw
17	210311	1	Front Half PTO Shaft
18	210312	1	Rear Half PTO Shaft

Apron Chain and Sprocket Assembly

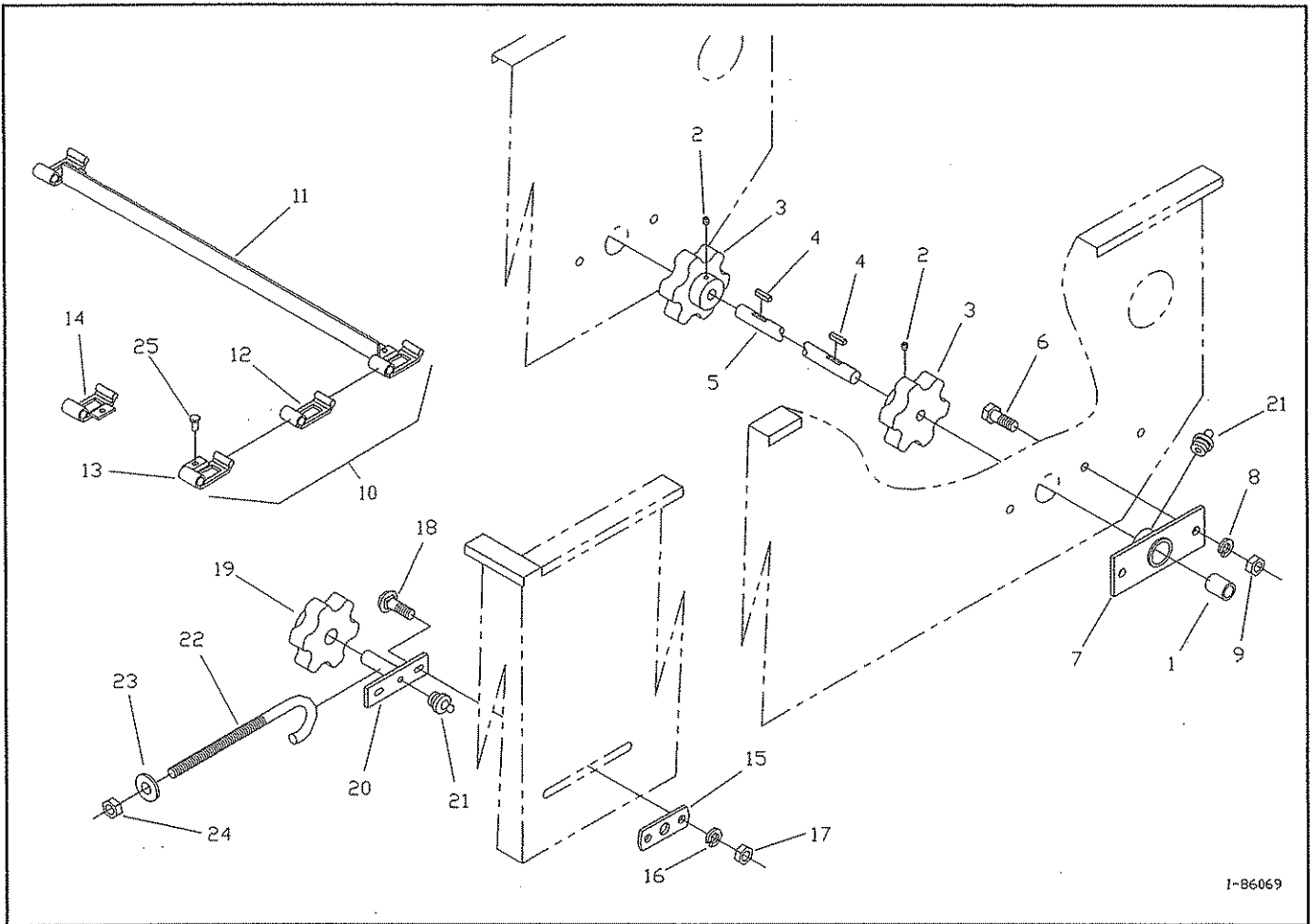


Figure A5 - Apron Chain and Sprocket Assembly Parts Detail

Apron Chain and Sprocket Assembly (continued)

<u>Item#</u>	<u>Millcreek Part#</u>	<u>Qty.*</u>	<u>Component Description</u>
1	210100	2	Apron Shaft Bushing
2	N/A	2	Set Screw
3	260283	2	Rear Apron Sprocket (includes item 2)
4	210131	2	1/4 x 1-1/4 Key
5	260282	1	Rear Apron Shaft
6	34197	2	3/8 x 3/4 Bolt
7	260305	1	Left Apron Bearing (includes items 1 and 21)
8	34141	2	3/8 Lock Washer
9	34087	2	3/8 Nut
10	260309	1	Model 50 Complete Apron
	260310	1	Model 75 Complete Apron
11	260978	11/14*	Apron Slat with Attachment Links
12	210282	158/224*	Apron Link
13	210257	11/14*	Left Attachment Link
14	210255	11/14*	Right Attachment Link
15	260269	2	Washer Plate
16	34035	4	1/2 Lock Washer
17	34034	4	1/2 Nut
18	34246	4	1/2 x 1-1/2 Carriage Bolt
19	260285	2	Front Apron Sprocket
20	260276	2	Front Sprocket Bracket (includes item 21)
21	220101	3	Lube Fitting
22	260271	2	3/8 J-Bolt
23	34018	2	3/8 Washer
24	34220	2	3/8 Nylon Stop Nut
25	220109	22/28*	1/4 x 5/8 Rivet

*First quantity applies to Model 50; second quantity applies to Model 75.

Apron Chain Drive Group

OLDER Style

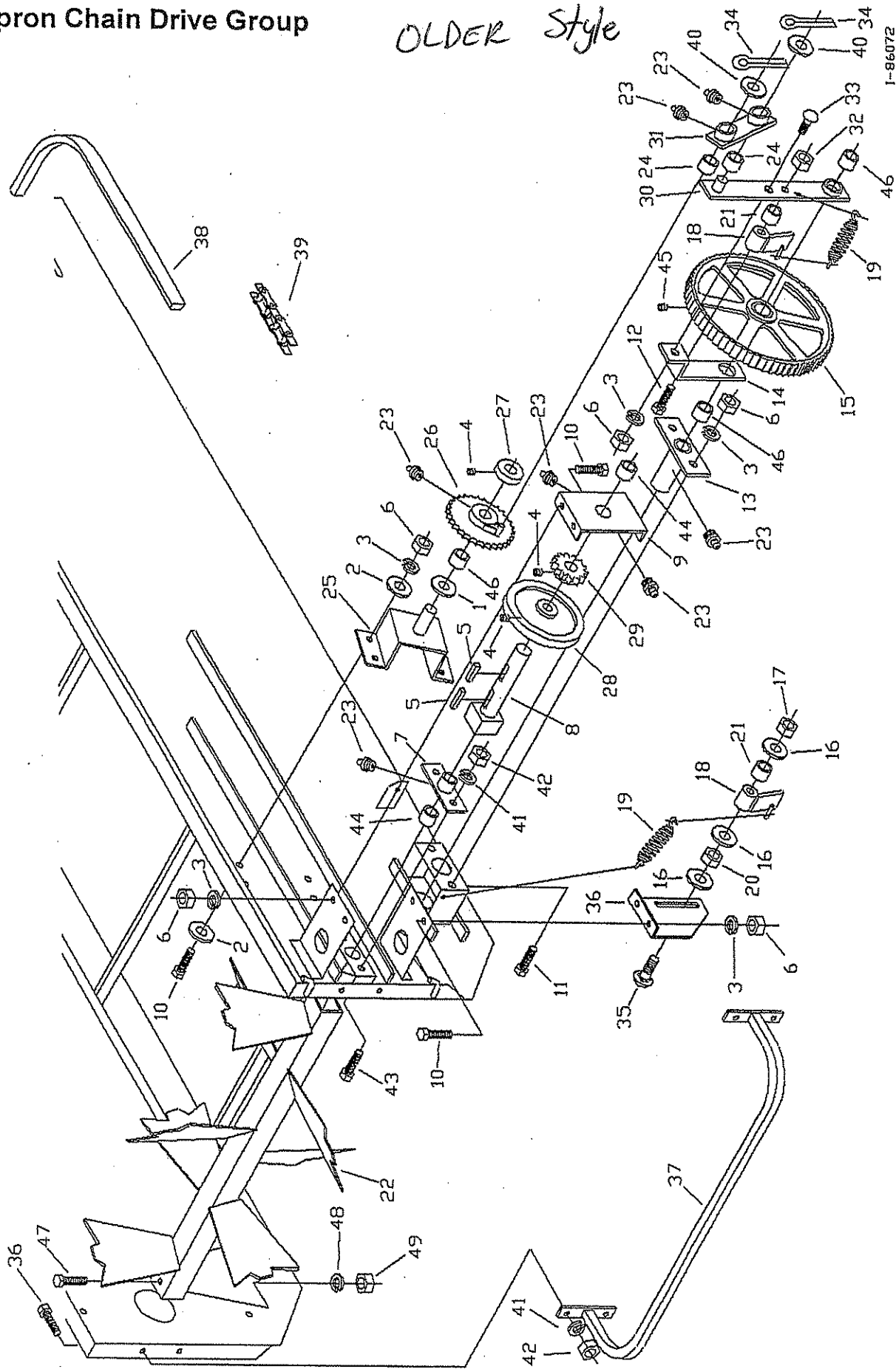


Figure A6 - Apron Chain Drive Group Parts Detail

Apron Chain Drive Group (continued)

<u>Item#</u>	<u>Millcreek Part#</u>	<u>Qty.</u>	<u>Component Description</u>
1	260281	1	1-1/8 Washer
2	34018	8	3/8 Washer
3	34141	7	3/8 Lock Washer
4	N/A	5	Set Screw
5	210131	2	1/4 x 1-1/4 Key
6	34087	9	3/8 Nut
7	260311	1	Right Hand Beater Bearing (includes items 23 and 44)
	260981	1	Left Hand Beater Bearing with Left Beater Shaft
8	260171	1	Right Hand Beater Shaft
9	260312	1	Outer Beater Bearing (includes items 23 and 44)
10	34199	4	3/8 x 1 Bolt
11	34197	6	3/8 x 3/4 Bolt
12	34230	1	1/2 x 3 Bolt
13	260304	1	Right Hand Apron Bearing
14	260268	1	Ratchet Wheel Support
15	210140	1	Ratchet Wheel (includes item 46)
16	34094	3	1/2 Washer
17	34211	1	1/2 Nylon Stop Nut
18	260318	2	Pawl (includes item 21)
19	220104	2	Pawl Spring
20	34198	1	1/2 Thin Nylon Stop Nut
21	210107	2	3/4 O.D. Bushing
22	260302	1	Beater
23	220101	6	Lube Fitting
24	210105	2	1" O.D. Bushing
25	260278	1	Ratchet Gear Driver Bracket
26	260296	1	Ratchet Gear Driver Sprocket (includes items 23 and 46)
27	210137	1	1-1/8 Shaft Collar (includes item 4)
28	210202	1	Drive Pulley (includes item 4)
29	210145	1	12-Tooth Sprocket (includes item 4)
30	260293	1	Ratchet Wheel Arm
31	260292	1	Connector Arm
32	34034	1	1/2 Nut
33	34006	1	3/8 x 1 Carriage Bolt
34	34209	2	Cotter Pin
35	34091	1	1/2 x 3 Carriage Bolt
36	34221	4	5/16 x 1 Bolt
37	260555	2	Rear Beater Guard
38	210203	1	Model 50 Drive Belt
	210198	1	Model 75 Drive Belt
39	210142	1	Apron Drive Chain (50 chain w/ 48 links)
	210284	AR	50 Chain Master Link
40	34144	2	3/4 Washer
41	34203	8	5/16 Lock Washer
42	34020	8	5/16 Nut
43	34200	2	5/16 x 3/4 Bolt
44	210101	3	1.125 O.D. Bushing
45	N/A	1	3/8 x 3/4 Set Screw
46	210104	3	1.375 O.D. Bushing
47	34301	1	1/4 x 2-1/2 Bolt
48	34235	1	1/4 Lock Washer
49	34003	1	1/4 Nut

Apron Chain Drive Group (continued)

<u>Item#</u>	<u>Millcreek Part#</u>	<u>Qty.</u>	<u>Component Description</u>
1	260281	1	1-1/8 Washer
2	34018	8	3/8 Washer
3	34141	15	3/8 Lock Washer
4	N/A	5	Set Screw
5	210131	2	1/4 x 1-1/4 Key
6	34087	15	3/8 Nut
7	210144	4	Flanged Bearing
8	2605696	1	Right Hand Beater Shaft
9	260383	1	Outer Beater Bearing
10	34199	12	3/8 x 1 Bolt
11	34197	2	3/8 x 3/4 Bolt
12	34230	1	1/2 x 3 Bolt
13	260304	1	Right Hand Apron Bearing
14	260268	1	Ratchet Wheel Support
15	210140	1	Ratchet Wheel (Includes Item # 46)
16	34094	3	1/2 Washer
17	34211	1	1/2 Nylon Stop Nut
18	260318	2	Pawl (includes Item #21)
19	220104	2	Pawl Spring
20	34198	1	1/2 Thin Nylon Stop Nut
21	210107	2	3/4 OD Bushing
22	260302	1	Beater
23	220101	3	Lube Fitting
24	210105	2	1 OD Bushing
25	260278	1	Ratchet Gear Driver Bracket
26	260296	1	Ratchet Gear Driver Sprocket (Includes Items # 23 and 45)
27	210137	1	1-1/8 Shaft Collar (Includes Item # 4)
28	210202	1	Drive Pulley (Includes Item # 4)
29	210145	1	12 Tooth Sprocket (Includes Item # 4)
30	260293	1	Ratchet Wheel Arm (Includes Item # 46)
31	260292	1	Connector Arm (Includes Items # 23 and 24)
32	34034	1	1/2 Nut
33	34006	1	3/8 x 1 Carriage Bolt
34	34209	2	Cotter Pin
35	34091	1	1/2 x 3 Carriage Bolt
36	34221	10	5/16 x 1 Bolt
37	260555	2	Rear Beater Guard
38	210203	1	Model 50 Drive Belt
	210198	1	Model 75 Drive Belt
39	210142	1	Apron Drive Chain (50 Chain with 48 Links)
	210284	48	50 Chain Master Link
40	34144	2	3/4 Washer
41	34203	12	5/16 Lock Washer
42	34020	12	5/16 Nut
43	34200	6	5/16 x 3/4 Bolt
44	260385	1	Left Side Beater Bracket
45	210104	5	1-3/8 OD Bushing
46	N/A	1	3/8 x 3/4 Set Screw
47	34301	1	1/4 x 2-1/2 Bolt
48	34235	1	1/4 Lock Washer
49	34003	1	1/4 Nut
50	260251	1	Pawl Bracket
51	260389	1	Left Side Beater Shaft